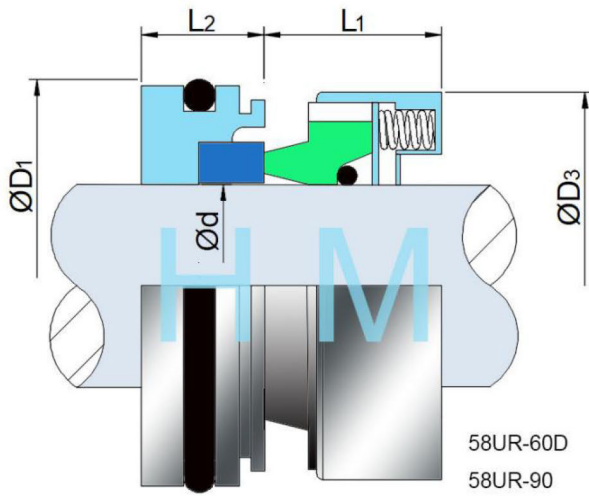


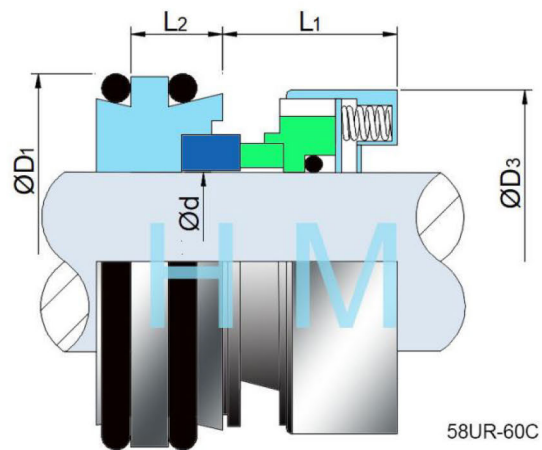
HM58R(ITT)



Type: Multi Spring Seals
 Replacement: ITT, widely used for FLYGT PUMP
 Temperature: -30°C to +150°C
 Pressure: $\leq 3.0\text{Mpa}$
 Speed: $\leq 16\text{m/s}$
 Material: U1, U2, F2, V, B, F, G



hengmi@mesal.com



Model	d (mm)	D1	D3	L1	L2	Conform
HM58UR-60C	60	103.0	93.0	36	20.2	58UR-60B
HM58UR-60D	60	85.5	93.0	36	13.0	58UR-60A
HM58UR-90	90	115.0	116.5	32	16.0	\