

HM68/68A

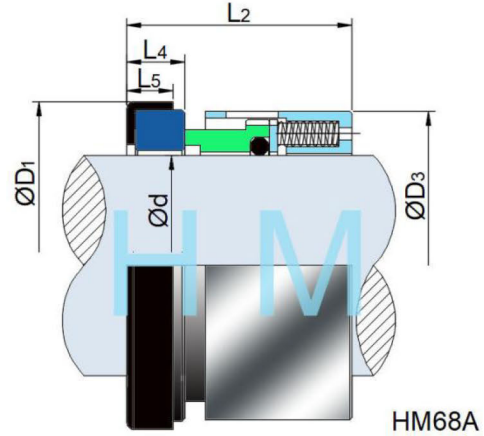
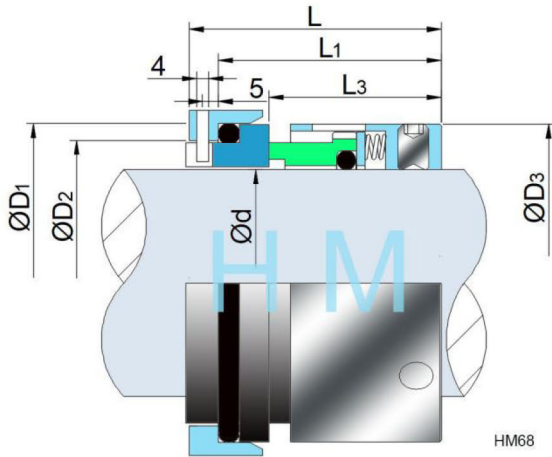
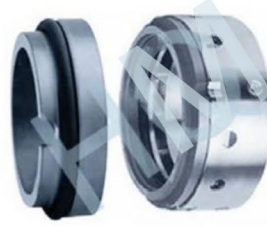
Type: Multi Spring Mechanical Seal, Suit for Grundfos, Hilge Pumps

Temperature: -20 to +180°C

Pressure: ≤ 2.5 Mpa

Speed: ≤ 15 m/s

Material: B, Q2, U2, P, E, N, V, F, G, Alfa



d (mm)	D1	D2	D3	L	L1	L2	L3	L4	L5
18	33	27	32	37.5	30.5	27.0	21.5	7.5	6.0
20	35	29	34	37.5	30.5	27.0	21.5	7.5	6.5
22	37	31	36	37.5	30.5	27.0	21.5	7.5	6.5
24	39	33	38	39.5	32.5	30.0	23.0	7.5	6.5
25	40	34	39	40.5	33.5	30.5	24.0	7.5	6.5
28	43	37	42	40.5	33.5	34.0	24.0	7.5	6.5
30	45	39	44	41.5	34.5	34.0	24.0	7.5	6.5
32	48	42	46	41.5	34.5	35.0	24.0	7.5	6.5
35	50	44	49	41.5	34.5	36.0	24.0	7.5	6.5
38	56	49	54	45.0	38.0	39.0	26.5	9.0	7.5
40	58	51	56	45.0	38.0	39.0	27.5	9.0	7.5
43	61	54	59	45.0	38.0	39.0	27.5	9.0	8.0
45	63	56	61	45.0	38.0	39.0	27.5	9.0	8.0
48	66	59	64	45.0	38.0	39.0	27.5	9.0	8.0
50	70	62	66	47.0	40.0	40.0	27.0	9.5	8.0
53	73	65	69	47.0	40.0	40.0	27.0	11.0	8.0
55	75	67	71	47.0	40.0	40.0	27.0	11.0	8.0
58	78	70	78	49.0	42.0	48.0	28.5	11.0	8.0
60	80	72	80	49.0	42.0	49.0	28.5	11.0	8.0
65	85	77	85	52.0	45.0	51.0	31.5	11.0	8.0
70	92	83	90	54.0	47.0	51.3	32.0	11.3	10.0
75	97	88	99	54.0	47.0	51.3	32.0	11.3	10.0
80	105	95	104	55.0	48.0	52.0	33.0	12.0	10.0
85	110	100	109	55.0	48.0	55.0	33.0	14.0	10.0
90	115	105	114	61.0	54.0	59.0	38.0	14.0	10.0
95	120	110	119	61.0	54.0	60.0	38.0	14.0	12.0
100	125	115	124	61.0	54.0	61.0	38.0	14.0	12.0
110	136	125	138	61.0	54.0	62.0	38.0	14.0	12.0
120	146	135	148	61.0	54.0	62.0	38.0	14.0	12.0