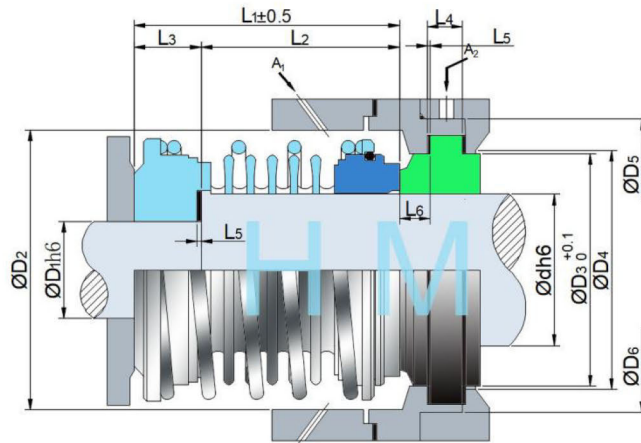


HMRF



Type: Multi-Spring Seal
 Replacement: Roten RF
 Temperature: -70 to +350°C
 Pressure: ≤8Bar
 Speed: ≤10m/s
 Material: B,A1,Q1,Q2,U2,P,E,N,V,F,G,Alfa



d (mm)	D1	D2	D3	D4	D5	D6	L1	L2	L3	L4	L5	L6
18	12	48	36	37.6	56	47.6	32	25	7	9.0	1.0	5
20	14	48	36	37.6	56	47.6	34	27	7	10.0	1.0	6
22	16	52	39	40.6	59	50.6	38	29	9	10.0	1.0	6
24	16	52	39	40.6	59	50.6	40	31	9	10.0	1.0	6
25	18	52	42	43.6	62	53.6	40	31	9	12.0	1.0	6
28	20	65	46	48.0	70	60.0	43	32	11	12.0	1.0	7
30	24	65	46	48.0	70	60.0	43	32	11	12.0	1.0	7
32	26	70	50	52.0	76	65.0	47	34	13	12.0	1.0	7
35	28	70	53	55.0	79	68.0	47	34	13	12.0	1.0	7
38	30	80	56	58.0	82	71.0	48	34	14	13.0	1.0	9
40	32	90	63	65.0	89	78.0	50	35	15	13.0	1.0	9
42	33	90	63	65.0	89	78.0	50	35	15	13.0	1.0	9
45	35	90	66	68.0	92	81.0	50	35	15	13.0	1.0	9
48	40	100	69	71.0	95	84.0	55	40	15	13.0	1.0	9
50	40	100	72	74.0	101	87.0	55	40	15	13.0	1.0	9
55	45	100	82	84.4	114	100.4	55	37	18	15.5	1.5	9
60	50	120	85	87.4	117	103.4	55	37	18	15.5	1.5	9
65	55	120	91	93.4	124	109.4	60	40	20	15.5	1.5	9
70	60	130	95	97.4	127	113.4	65	45	20	15.5	1.5	9
75	65	130	99	101.4	131	117.4	65	45	20	15.5	1.5	9