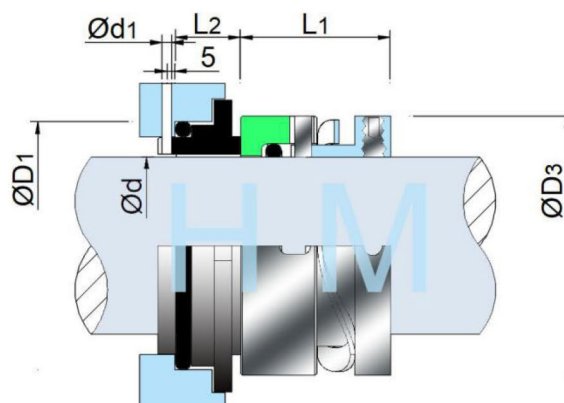




Type : Wave Spring Mechanical Seal  
 Replacement: AES W02 , Vulcan 1688L , Roten  
 UNITEN 7K  
 Temperature: -40°C to +200°C  
 Pressure : ≤0.8Mpa  
 Speed: ≤18m/s  
 Material: Q2,B,U2,P,E,V,F,G



[hengmi@mes seal.com](mailto:hengmi@mes seal.com)

d (mm)	D1	D3	d1	L1	L2
16	27	27.0	4	19.1	8.6
20	35	31.0	5	19.1	10.0
22	37	33.0	5	19.1	10.0
24	39	34.1	5	19.1	10.0
25	40	35.2	5	19.1	10.0
28	43	40.0	5	19.1	10.0
30	45	41.0	5	19.1	10.0
32	48	42.4	5	19.1	10.0
33	48	44.0	5	19.1	10.0
35	50	45.5	5	19.1	10.0
38	56	51.8	5	21.1	11.0
40	58	53.8	5	21.1	11.0
43	61	56.0	5	21.1	11.0
45	63	58.2	5	21.1	11.0
48	66	61.4	5	21.1	11.0
50	70	61.9	5	21.1	13.0
55	75	72.0	5	22.1	13.0
60	80	76.0	5	25.8	13.0
63	83	79.3	5	25.8	13.0
65	85	82.3	5	25.8	13.0
70	92	88.9	5	25.8	15.3
75	97	96.0	5	25.8	15.3