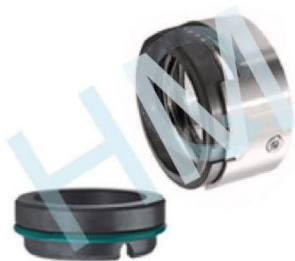


HMM7N/M74/M74F

Type: Wave/Multi Spring Mechanical Seal ,Suit for Grundfos, Hige Pumps

Replacement: Bergmann M7N/M74/M74F , Fluiten US3A/UM3A, Flowerve Europac 600, AES W07DM

Temperature: -20°C to +180°C



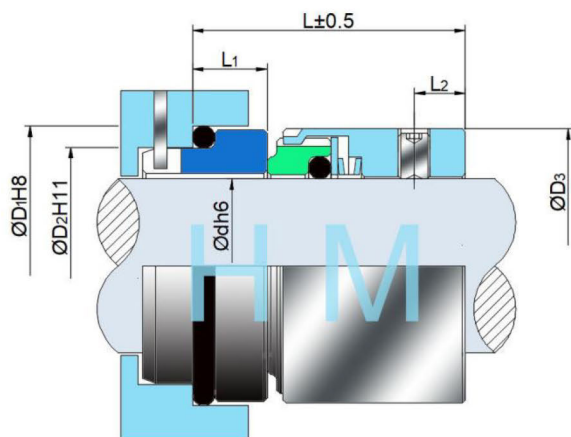
Pressure: $\leq 1.2\text{Mpa}$
 Speed: $\leq 15\text{m/s}$
 Material: Q2,B,U2,
 P,E,V,F,G



M74



M74F



d (mm)	D1	D2	D3	L	L1	L2
14	25	21	25	35.0	10.0	6
16	27	23	27	35.0	10.0	6
18	33	27	33	37.5	11.5	7
20	35	29	35	37.5	11.5	7
22	37	31	37	37.5	11.5	7
24	39	33	39	40.0	11.5	8
25	40	34	40	40.0	11.5	8
28	43	37	43	42.5	11.5	8
30	45	39	45	42.5	11.5	8
32	48	42	47	42.5	11.5	8
33	48	42	48	42.5	11.5	8
35	50	44	50	42.5	11.5	8
38	56	49	55	45.0	14.0	8
40	58	51	57	45.0	14.0	8
43	61	54	60	45.0	14.0	8
45	63	56	62	45.0	14.0	8
48	66	59	65	45.0	14.0	8
50	70	62	67	47.5	15.0	8
53	73	65	70	47.5	15.0	8
55	75	67	72	47.5	15.0	8
58	78	70	79	52.5	15.0	9
60	80	72	81	52.5	15.0	9
63	83	75	84	52.5	15.0	9
65	85	77	86	52.5	15.0	9
68	90	81	89	52.5	18.0	9
70	92	83	91	60.0	18.0	9
75	97	88	99	60.0	18.0	10
80	105	95	104	60.0	18.2	10
85	110	100	109	60.0	18.2	10
90	115	105	114	65.0	18.2	10
95	120	110	119	65.0	17.2	10
100	125	115	124	65.0	17.2	10