

HMH7N/H75



Type : Wave/Multi Spring Mechanical Seal
Replacement : Bergmann H7N/H75, AES W07DMB

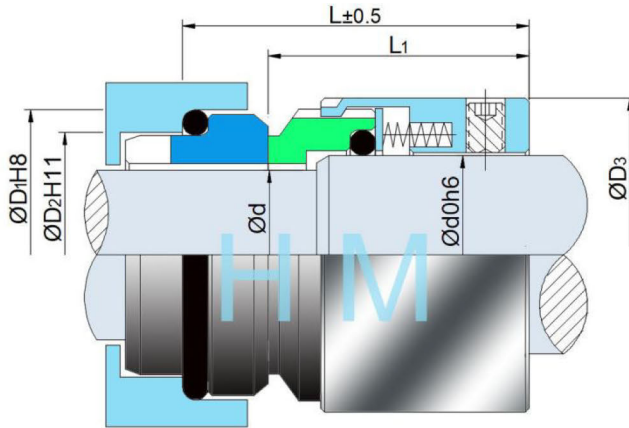
Temperature : -20°C to +180°C

Pressure : ≤ 2.5 Mpa

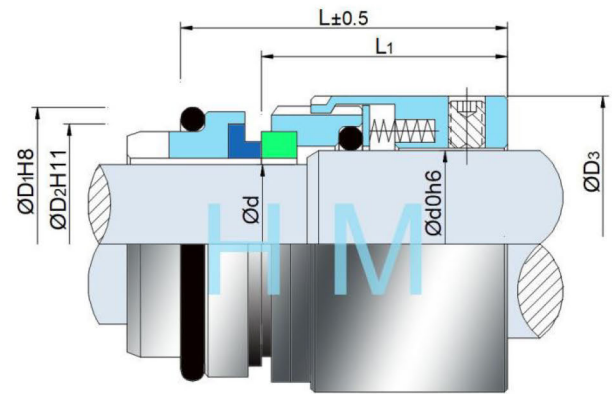
Speed : ≤ 15 m/s

Material : Q2, B, U2, P, E, V, F, G

HMH7 N



HMH7 5



d (mm)	d0	D1	D2	D3	L	L1
14	18	25	21	33	42.5	32.5
16	20	27	23	35	42.5	32.5
18	22	33	27	37	45.0	33.5
20	24	35	29	39	45.0	33.5
22	26	37	31	41	45.0	33.5
24	28	39	33	43	47.5	36.0
25	30	40	34	45	47.5	36.0
28	33	43	37	48	50.0	38.5
30	35	45	39	50	50.0	38.5
32	38	48	42	55	50.0	38.5
33	38	48	42	55	50.0	38.5
35	40	50	44	57	50.0	38.5
38	43	56	49	60	52.5	38.5
40	45	58	51	62	52.5	38.5
43	48	61	54	65	52.5	38.5
45	50	63	56	67	52.5	38.5
48	53	66	59	70	52.5	38.5
50	55	70	62	72	57.5	42.5
53	58	73	65	79	57.5	42.5
55	60	75	67	81	57.5	42.5
58	63	78	70	84	62.5	47.5
60	65	80	72	86	62.5	47.5
63	68	83	75	89	62.5	47.5
65	70	85	77	91	62.5	47.5
70	75	92	83	99	70.0	52.0
75	80	97	88	104	70.0	52.0
80	85	105	95	109	70.0	51.8
85	90	110	100	114	75.0	56.8
90	95	115	105	119	75.0	56.8
95	100	120	110	124	75.0	57.8
100	105	125	115	129	75.0	57.8