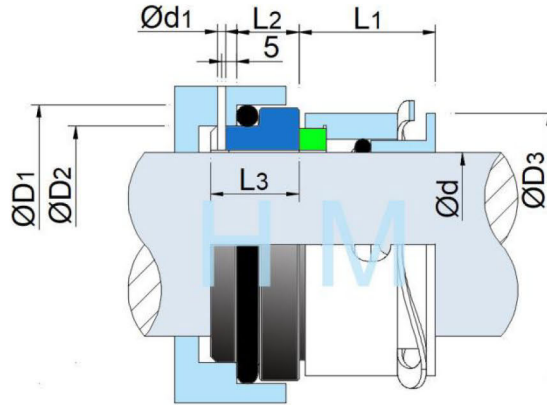




HM82

Type : Wave Spring Mechanical Seal
 Temperature: -20°C to +180°C
 Pressure : ≤1.2Mpa
 Speed: ≤15m/s
 Material : Q2,B,U2,P,E,V,F,G



hengmi@mesal.com

d (mm)	D1	D2	D3	d1	L1	L2	L3
16	27	23	26	3	19.1	8.6	15.0
18	33	27	29	3	19.1	10.0	17.0
20	35	29	32	3	19.1	10.0	17.0
22	37	31	35	3	19.1	10.0	17.0
24	39	33	37	3	19.1	10.0	17.0
25	40	34	37	3	19.1	10.0	17.0
28	43	37	41	3	19.1	10.0	17.0
30	45	39	43	3	19.1	10.0	17.0
32	48	42	47	3	19.1	10.0	17.0
33	48	42	48	3	19.1	10.0	17.0
35	50	44	49	3	19.1	10.0	17.0
38	56	49	53	4	21.1	11.0	18.0
40	58	51	55	4	21.1	11.0	18.0
43	61	54	60	4	21.1	11.0	18.0
45	63	56	60	4	21.1	11.0	18.0
48	66	59	65	4	21.1	11.0	18.0
50	70	62	65	4	21.1	13.0	20.0
53	73	65	74	4	22.1	13.0	20.0
55	75	67	74	4	22.1	13.0	20.0
58	78	70	79	4	25.8	13.0	20.0
60	80	72	79	4	25.8	13.0	20.0
63	83	75	87	4	25.8	13.0	20.0
65	85	77	87	4	25.8	13.0	20.0
68	90	81	93	4	25.8	15.3	22.0
70	92	83	93	4	25.8	15.3	22.0
75	97	88	98	4	25.8	15.3	22.0
80	105	95	104	4	25.8	15.7	22.5
85	110	100	108	4	25.8	15.7	22.5
90	115	105	113	4	25.8	15.7	22.5
95	120	110	118	4	25.8	15.7	22.5
100	125	115	123	4	25.8	15.7	22.5