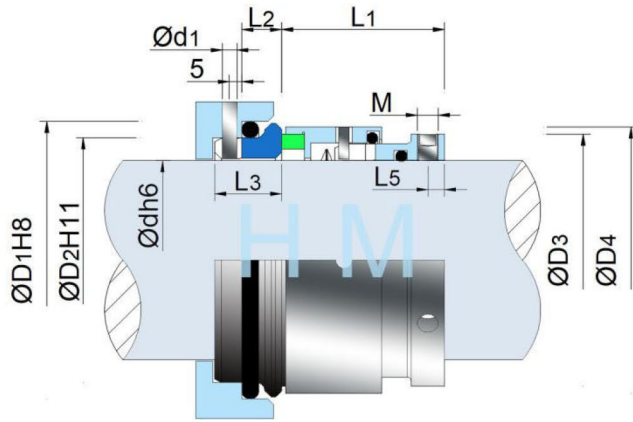


# HMJ977GN

Type: Wave Spring Mechanical Seal, Suit for,  
Grundfos, Hilge Pumps  
Replacement: Burgmann HJ977GN  
Temperature: -20°C to +180°C  
Pressure: ≤2.5Mpa  
Speed: ≤15m/s  
Material: V1, Q1, Q2, U2, B, A, P, E, V, M1, M2, F, G, M



d (mm)	D1	D2	D3	D4	d1	L1	L2	L3	L5	M
18	33	27	26.0	32	3	28.5	9.0	17.0	3.0	M4
20	35	29	28.0	34	3	28.5	9.0	17.0	3.0	M4
22	37	31	30.0	36	3	28.5	9.0	17.0	3.0	M4
24	39	33	32.5	38	3	31.0	9.0	17.0	3.5	M5
25	40	34	33.5	39	3	31.0	9.0	17.0	3.5	M5
28	43	37	36.5	42	3	33.0	9.5	17.5	3.5	M5
30	45	39	38.5	44	3	33.0	9.5	17.5	3.5	M5
32	48	42	41.5	47	3	33.0	9.5	17.5	3.5	M5
33	48	42	41.5	47	3	33.0	9.5	17.5	3.5	M5
35	50	44	43.5	49	3	33.0	9.5	17.5	3.5	M5
38	56	49	47.5	54	4	34.5	10.5	18.5	4.0	M5
40	58	51	49.5	56	4	34.5	10.5	18.5	4.0	M5
43	61	54	52.5	59	4	34.5	10.5	18.5	4.0	M5
45	63	56	54.5	61	4	34.5	10.5	18.5	4.0	M5
48	66	59	57.5	64	4	34.5	10.5	18.5	4.0	M5
50	70	62	59.5	66	4	35.5	12.0	19.5	4.5	M6
53	73	65	62.5	69	4	35.5	12.0	19.5	4.5	M6
55	75	67	64.5	71	4	35.5	12.0	19.5	4.5	M6
58	78	70	68.5	78	4	39.5	13.0	20.5	4.5	M6
60	80	72	70.5	80	4	39.5	13.0	20.5	4.5	M6
63	83	75	73.5	83	4	39.5	13.0	20.5	4.5	M6
65	85	77	75.5	85	4	39.5	13.0	20.5	4.5	M6
68	90	81	78.5	88	4	39.0	13.5	21	4.5	M6
70	92	83	80.5	90	4	46.0	14.0	21.5	4.5	M6
75	97	88	89.0	99	4	46.0	14.0	21.5	5.0	M6
80	105	95	94.0	104	4	46.0	14.0	21.5	5.5	M8
85	110	100	99.0	109	4	46.0	14.0	21.5	5.5	M8
90	115	105	104.0	114	4	49.5	15.5	23.0	5.5	M8
95	120	110	109.0	119	4	49.5	15.5	23.0	5.5	M8
100	125	115	114.0	124	4	49.5	15.5	23.0	5.5	M8