

HMW04



Type: Wave Spring Mechanical Seal ,Suit for Grundfos, Hilge Pumps

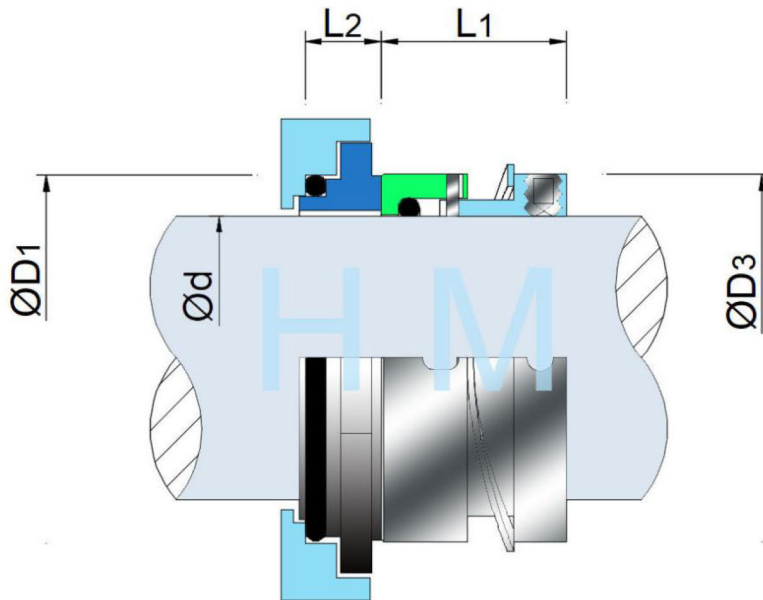
Replacement: AES W04 , Vulcan 1688Y

Temperature: -40°C to +200°C

Pressure : $\leq 0.8\text{Mpa}$

Speed : $\leq 18\text{m/s}$

Material : Q2,B,U2,P,E,V,F,G



PUMP ref:	d (mm)	D1	D3	L1	L2
10	30	40.0	41.0	19.1	9.3
20	35	44.5	45.5	19.1	9.2
30	50	62.0	61.9	21.1	10.4
40	70	85.0	88.9	25.8	14.1
50	80	95.0	101.0	15.8	16.2