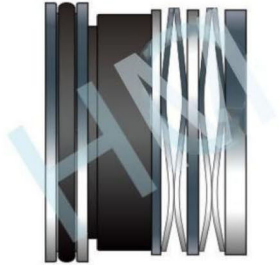
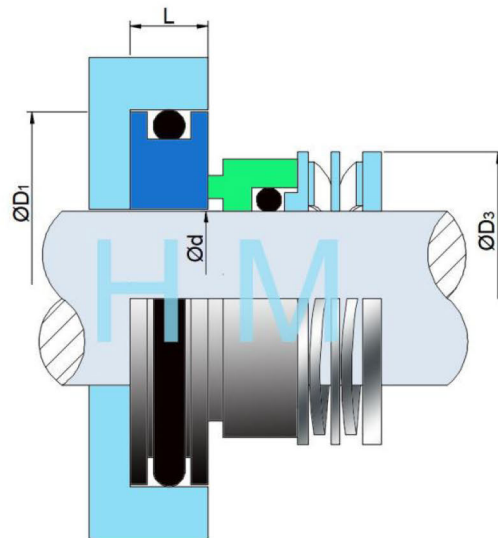


HMW12U



Type: Wave Spring Mechanical Seal
 Replacement: AES W012U
 Temperature: -40 to +20°C
 Pressure : $\leq 0.8\text{Mpa}$
 Speed: $\leq 18\text{m/s}$
 Material: B,Q2,U2,P,E,N,V,F,G,Alfa



d (mm)	D1	D3	L2
46	65	62	7.2
d (inch)	D1	D2	L2
1.811	2.559	2.441	0.283

