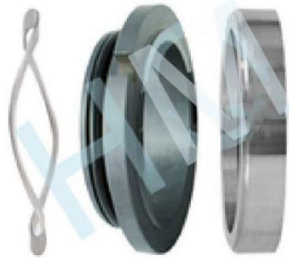
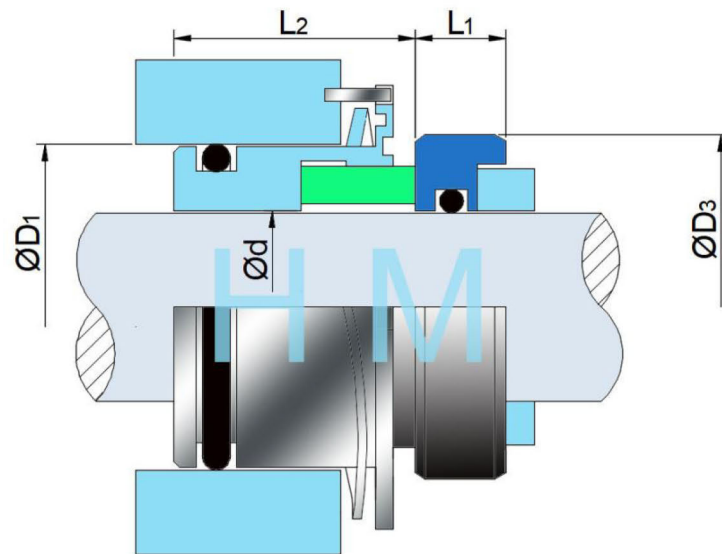


HMW27U



Type: Wave Spring Mechanical Seal
 Replacement: AES W027U
 Temperature: -40 to +20°C
 Pressure : $\leq 0.8\text{Mpa}$
 Speed: $\leq 18\text{m/s}$
 Material : B,Q2,U2,P,E,N,V,F,G,Alfa



d (mm)	D1	D3	L1	L2
40	55	55	13.2	18
d (inch)	D1	D2	L1	L2
1.575	2.165	2.165	0.520	0.709

