



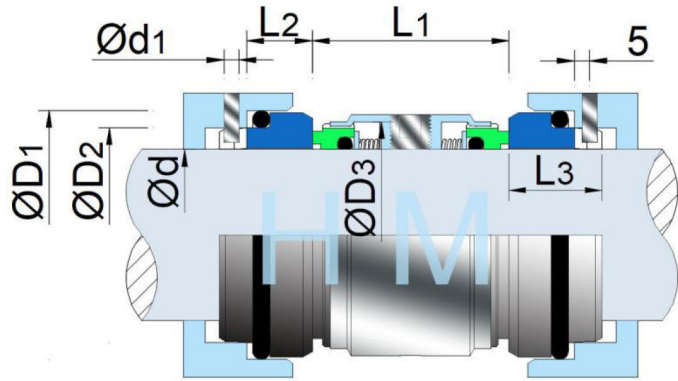
HMM74D

Type: Double Mechanical Seal
 Replacement: Burgmann M74D
 Temperature: -20°C to +180°C

Pressure: ≤1.2Mpa

Speed: ≤15m/s

Material: Q2,B,U2,P,E,V,F,G



hengmi@mseal.com

d (mm)	D3	D2	D1	d1	L1	L2	L3
18	33	27	33	3	38	11.5	19.5
20	35	29	35	3	38	11.5	19.5
22	37	31	37	3	38	11.5	19.5
24	39	33	39	3	38	11.5	19.5
25	40	34	40	3	38	11.5	19.5
28	43	37	43	3	39	11.5	19.5
30	45	39	45	3	39	11.5	19.5
32	47	42	48	3	39	11.5	19.5
33	48	42	48	3	39	11.5	19.5
35	50	44	50	3	39	11.5	19.5
38	55	49	56	4	41	14.0	22.0
40	57	51	58	4	42	14.0	22.0
43	60	54	61	4	42	14.0	22.0
45	62	56	63	4	42	14.0	22.0
48	65	59	66	4	42	14.0	22.0
50	67	62	70	4	43	15.0	23.0
53	70	65	73	4	43	15.0	23.0
55	72	67	75	4	43	15.0	23.0
58	79	70	78	4	56	15.0	23.0
60	81	72	80	4	56	15.0	23.0
63	84	75	83	4	55	15.0	23.0
65	86	77	85	4	55	15.0	23.0
68	89	81	90	4	55	18.0	26.0
70	91	83	92	4	56	18.0	26.0
75	99	88	97	4	56	18.0	26.0
80	104	95	105	4	56	18.2	26.2
85	109	100	110	4	56	18.2	26.2
90	114	105	115	4	56	18.2	26.2
95	119	110	120	4	56	17.2	25.2
100	124	115	125	4	56	17.2	25.2