

HM842



Type : Double Faces Mechanical Seal

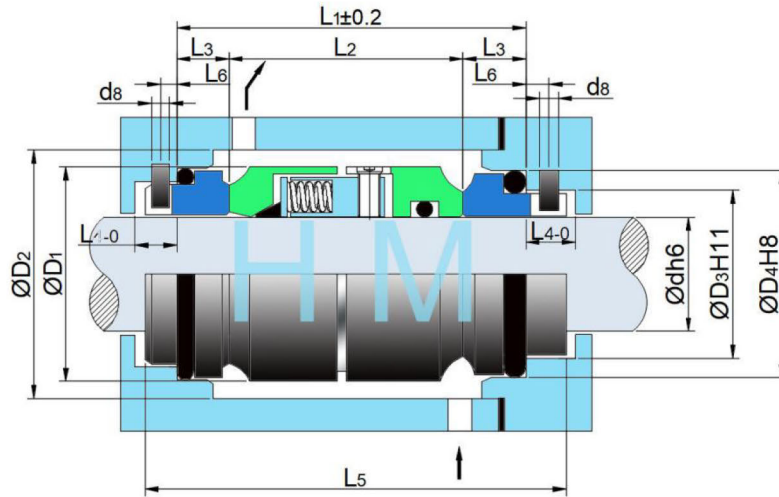
Replacement : Roten 842

Temperature : -70 to +350°C

Pressure : ≤8Bar

Speed : ≤10m/s

Material : Q1,Q2,U2,T,V,M1,F,G,M



hengmi@mes seal.com

d (mm)	D1	D2	D3	D4	d8	L1	L2	L3	L4	L5	L6
22	36.0	41	30	35.4	3.5	53	37	8.0	8.5	55.4	5.0
24	39.0	41	30	35.4	3.5	53	37	8.0	8.5	55.4	5.0
25	40.0	45	33	38.2	4.0	54	37	8.5	9.1	57.0	5.0
28	43.0	48	38	43.3	4.0	57	39	9.0	9.6	61.0	6.0
30	46.0	50	38	43.3	4.0	60	42	9.0	9.6	64.0	6.0
32	46.5	50	38	43.3	4.0	60	42	9.0	9.6	64.0	6.0
33	53.0	60	45	53.5	5.0	68	45	11.5	12.0	73.4	7.5
35	53.0	60	45	53.5	5.0	68	45	11.5	12.0	73.4	7.5
38	56.0	63	52	60.5	5.0	75	52	11.5	12.0	80.4	7.5
40	58.0	65	52	60.5	5.0	75	52	11.5	12.0	80.4	7.5
42	61.0	68	52	60.5	5.0	75	52	11.5	12.0	80.4	7.5
43	61.0	68	52	60.5	5.0	75	52	11.5	12.0	80.4	7.5
44	66.0	72	57	65.5	5.0	78	55	11.5	13.0	80.4	8.5
45	66.0	72	57	65.5	5.0	78	55	11.5	13.0	85.4	8.5
48	69.0	75	57	65.5	5.0	78	55	11.5	13.0	85.4	8.5
50	71.0	80	64	72.5	5.0	80	57	11.5	13.0	89.4	8.5
55	76.0	83	64	72.5	5.0	85	62	11.5	13.0	92.4	8.5
60	88.0	95	72	79.3	5.0	95	72	11.5	13.5	108.4	8.5
65	93.0	100	77	84.5	5.0	95	72	11.5	13.5	108.4	8.5
70	98.0	105	82	89.5	5.0	95	72	11.5	13.5	108.4	8.5
75	100.0	107	87	94.5	5.0	101	78	11.5	13.5	114.4	8.5
80	105.0	112	92	99.5	5.0	101	78	11.5	13.5	114.4	8.5
85	118.0	125	98	105.5	5.0	109	82	13.5	13.5	122.4	8.5
90	120.0	127	105	111.5	5.0	109	82	13.5	13.5	122.4	8.5
95	126.0	133	110	116.5	5.0	114	87	13.5	13.5	127.4	8.5
100	132.0	140	114	119.5	5.0	119	92	13.5	13.5	132.4	8.5
110	150.0	158	124	132.2	5.0	129	94	17.5	13.5	143.0	8.5
120	160.0	168	134	142.2	5.0	136	101	17.5	13.5	150.0	8.5
130	175.0	183	145	153.2	5.0	136	101	17.5	13.5	150.0	8.5
135	180.0	188	152	161.2	5.0	142	105	18.5	13.5	156.0	8.5
140	185.0	193	157	164.3	5.0	147	110	18.5	13.5	161.0	8.5