

HM877



Type: Double Mechanical Seal
Replacement: Roten 877, Burgmann M87N

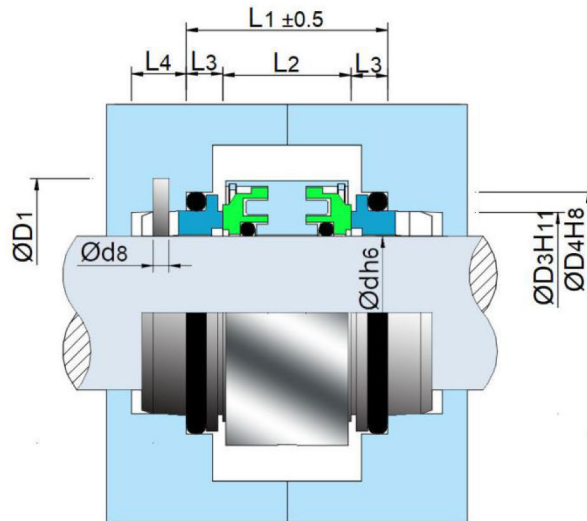
Lidering LMS15D

Temperature: -20 to +180°C

Pressure: $\leq 1.4\text{Mpa}$

Speed: $\leq 15\text{m/s}$

Material: B, Q2, U2, P, E, N, V, F, G, Alfa



d (mm)	d8	D1	D3	D4	L1	L2	L3	L4
20	3	40.0	29	35	43.0	23.0	10.0	9
25	3	44.5	34	40	45.0	25.0	10.0	9
28	3	47.5	37	43	38.0	25.0	8.5	9
30	3	50.0	39	45	47.0	27.0	10.0	9
35	3	56.0	44	50	48.5	28.5	10.0	9
43	4	71.0	54	61	56.0	30.0	13.0	9
50	4	80.0	62	70	58.0	30.0	14.0	9
65	4	98.0	77	85	63.0	35.0	14.0	9
100	4	145.0	115	125	81.0	45.0	16.0	9

