

HM8-1D



Type: Double Multi Spring Mechanical Seal,
For Fybroc/ Tri- Clover

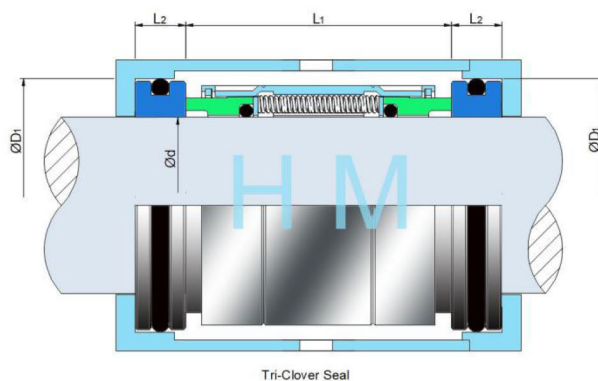
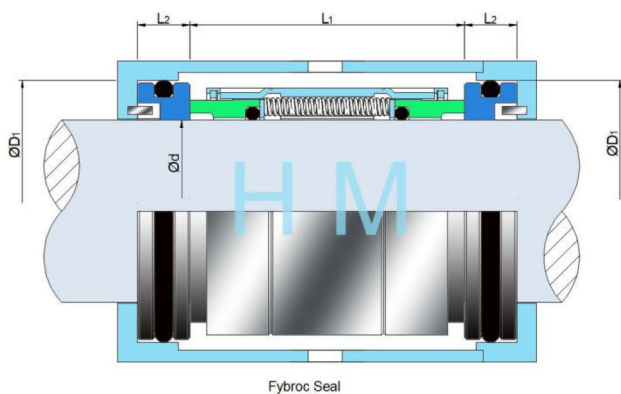
Replacement: AES M01 SD

Temperature: -40 to +220°C

Pressure : ≤ 1.4 Mpa

Speed : ≤ 15 m/s

Material: A,B,U1,U2,Q1,Q2,F,V,G,K,T,M5



d (mm)	D1	L1	L2
34.9	50.8	47.6	11.1
53.9	73.0	66.6	7.9
28.6	44.4	38.4	11.1
38.1	53.9	46.0	11.1
d (inch)	D1	L1	L2
1.375	2.000	1.875	0.437
2.125	2.875	2.625	0.312
1.125	1.750	1.512	0.437
1.500	2.125	1.811	0.437

