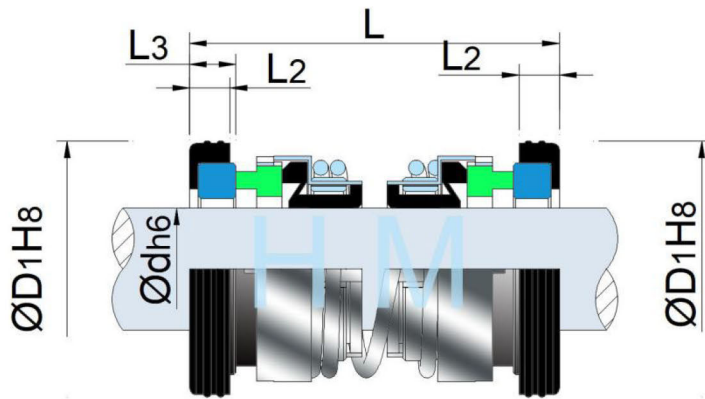


# HM202



Type: Double Mechanical Seal  
 Temperature:  $-20^{\circ}\text{C}$  to  $+150^{\circ}\text{C}$   
 Pressure:  $\leq 0.6\text{Mpa}$   
 Speed:  $\leq 5\text{m/s}$   
 Material: A, B, Q2, U2, P, K, E, G, M5



[hengmi@meseal.com](mailto:hengmi@meseal.com)

d (mm)	D1	L	L2	L3
12	24/26	32/41	4.5	5.6
14	26/28	38/41	5.0	7.0
16	28	38/45	5.0	7.0
17	34/35	38/48	5.0	7.0
18	34/35	38/48	5.0	7.0
20	36	40/48	5.0	7.0
22	38	45	5.0	7.0
25	41	51	7.0	9.0
30	46	51	7.0	9.0
35	51	51	7.0	9.0
40	60	61	9.0	10.5
45	65	61	9.0	10.5