

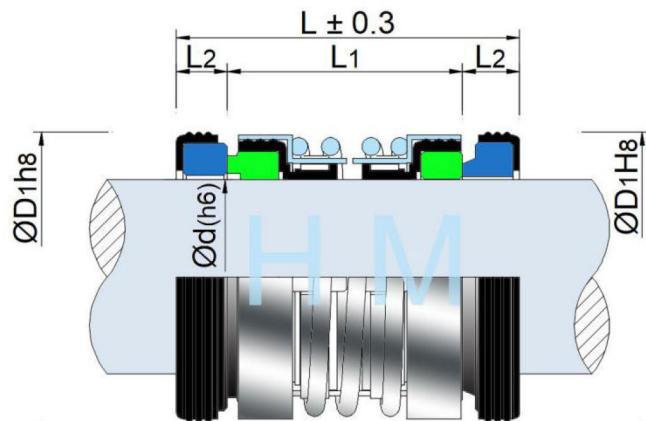
# HM208



Type: Double Mechanical Seal  
 Temperature: - 15 to +150°C  
 Pressure : ≤0.6Mpa  
 Speed: ≤5m/s  
 Material: Q1,Q2,A,B,U1,U2,P,E,V,T,F,G,T2,M5



[hengmi@mes seal.com](mailto:hengmi@mes seal.com)



d (mm)	D1	L	L1	L2
10	22	30	20	5.0
12	23/24/26	30/32/35/38/40	22/25/28/30	4/5.0
14	26/28/30	35/36/38/40/41	25/26/28/30/31	5.0
15	27/28	38	28	5.0
16	27/28/30	38/40/41/42/44	28/30/31/32/34	5.0
17	33/35	38/40/42/45	28/30/32/35	5.0
18	33/35	38/42	28/32	5.0
20	35/36	38/40/42/45	28/30/32/35	5.0
22	36/37	40/42	30	5/6.0
24	40/41	48/51/54	35/36/38	6/8.0
25	40/41	48/51/54	35/36/38	6/8.0
28	45/46	51	36	7.5
30	45/46	51	36	7.5
35	50	51	35	8.0
40	58	58/60/61	40/42/43	9.0
45	63	61	44	8.5
50	70	69	50	9.5
55	75	70/78	51/59	9.5