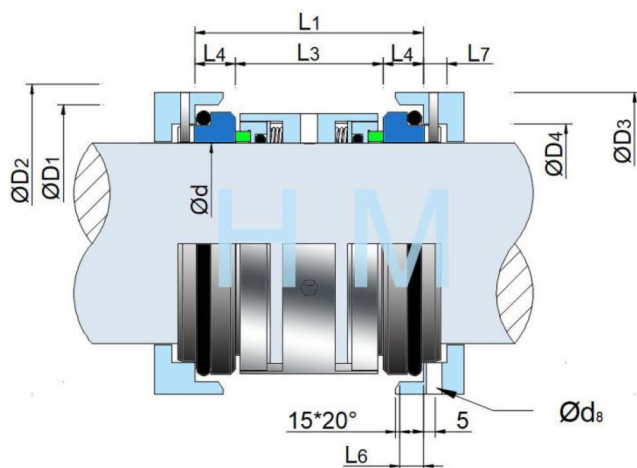


HM3A-D(UM3A-UM3A)



Type: Double Faces Seal
 Replacement: Fluiten UM3A-UM3A
 Temperature: -20 to +180°C
 Pressure: ≤ 2.5 Mpa
 Speed: ≤ 15 m/s
 Material: B,Q2,U2,P,E,N,V,F,G,Alfa



d (mm)	D1	D2	D3	D4	d8	L1	L3	L4	L6	L7
20	34	38	35	29	3	60	40	10.0	5	9
22	35	38	37	31	3	60	40	10.0	5	9
24	38	40	39	33	3	63	43	10.0	5	9
25	39	41	40	34	3	63	43	10.0	5	9
28	42	44	43	37	3	64	44	10.0	5	9
30	44	46	45	39	3	64	44	10.0	5	9
32	46	49	48	42	3	64	44	10.0	5	9
33	47	49	48	42	3	64	44	10.0	5	9
35	49	51	50	44	3	64	44	10.0	5	9
38	54	58	56	49	4	69	47	11.0	2	6
40	58	60	58	51	4	69	47	11.0	2	6
43	59	63	61	54	4	69	47	11.0	2	6
45	61	65	63	56	4	69	47	11.0	2	6
48	64	68	66	59	4	69	47	11.0	2	6
50	65	70	70	62	4	74	48	13.0	6	9
53	69	73	73	65	4	74	48	13.0	6	9
55	71	75	75	67	4	74	48	13.0	6	9
58	79	83	78	70	4	82	56	13.0	6	9
60	80	85	80	72	4	82	56	13.0	6	9
63	83	88	83	75	4	82	58	13.0	6	9
65	85	90	85	77	4	82	56	13.0	6	9
68	89	93	90	81	4	86	56	15.0	7	9
70	90	95	92	86	4	88	58	15.0	7	9
75	99	104	97	88	4	91	61	15.0	7	9
80	104	109	108	95	4	92	61	15.5	7	9
85	109	114	110	100	4	92	61	15.5	7	9
90	114	119	115	105	4	94	63	15.5	7	9
95	119	124	120	110	4	94	63	15.5	7	9
100	124	129	125	115	4	94	63	15.5	7	9