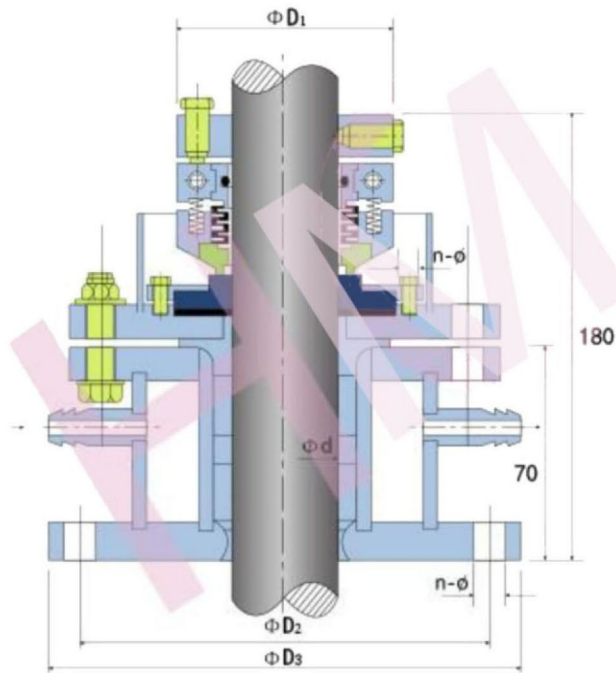


HMW212



Type: Kettle Seal
 Replacement: Small spring, end surface, teflon bellow mechanical seal
 Temperature: -40°C to +150°C
 Pressure : 0.6Mpa
 Speed: ≤500rpm
 Material: Q1, Q2, A, B, U1, U2, P, E, V, T, F, G, T2, M5



69 Sizes					79 Sizes					91 Sizes				
d	D1	D2	D3	n- ϕ	d	D1	D2	D3	n- ϕ	d	D1	D2	D3	n- ϕ
42	90	140	170	6- $\phi 16$	40	90	130	160	4- $\phi 18$	40	90	130	160	4- $\phi 18$
50	100	170	200	8- $\phi 16$	50	100	150	185	4- $\phi 18$	50	100	150	190	4- $\phi 18$
60	110	190	220	10- $\phi 16$	65	115	170	205	4- $\phi 18$	65	115	170	210	4- $\phi 18$
70	120	250	280	16- $\phi 16$	80	130	200	235	8- $\phi 18$	80	130	200	240	8- $\phi 18$
76	130	250	280	16- $\phi 16$	95	150	200	235	8- $\phi 18$	95	150	225	265	8- $\phi 18$
80	130	250	280	16- $\phi 16$	102	150	255	290	8- $\phi 18$	110	165	280	320	8- $\phi 18$
89	140	250	280	16- $\phi 16$						125	180	280	320	8- $\phi 18$
95	150	300	330	20- $\phi 16$						140	195	335	375	12- $\phi 18$