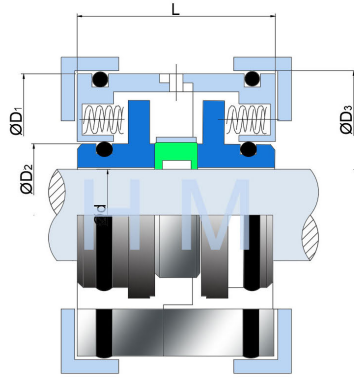


HMCS-A52(1640)



Type: Single Cartridge Seal, Suit for EMU Pumps and MIXERS

Replacement: AES 1640

Temperature: -40°C to $+200^{\circ}\text{C}$

Pressure: $\leq 1.2\text{Mpa}$

Speed: $\leq 20\text{m/s}$

Material: B,P,E,V,K,G,F,G

d (mm)	Code	D3	D2	D1	L
35	0.35	72	47	72	47
50	0.50	92	63	90	52
75	0.75	130	95	128	75

HMCS-A53(CONVERTOR II)



Type: Single Cartridge Seal

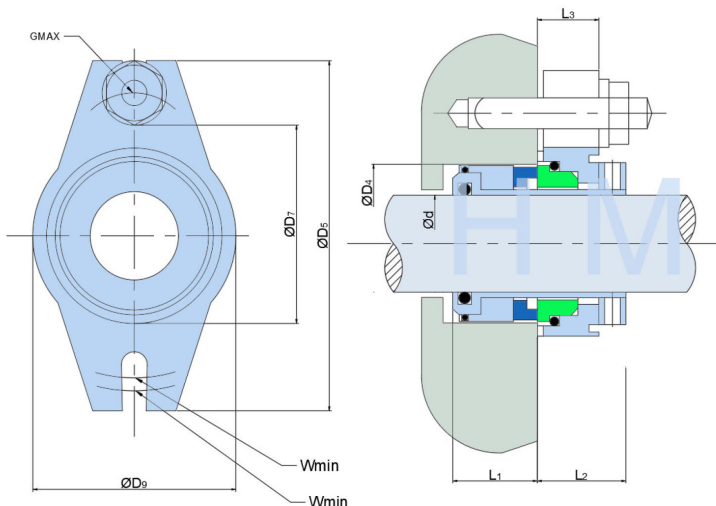
Replacement: AES CONVERTOR II

Temperature: -20°C to $+210^{\circ}\text{C}$

Pressure: $\leq 2.5\text{Mpa}$

Speed: $\leq 15\text{m/s}$

Material: Q1,Q2,U2,T,V,M1,F,G,M



hengmi@mesal.com