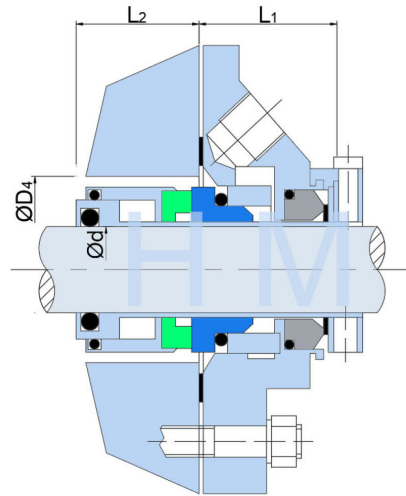
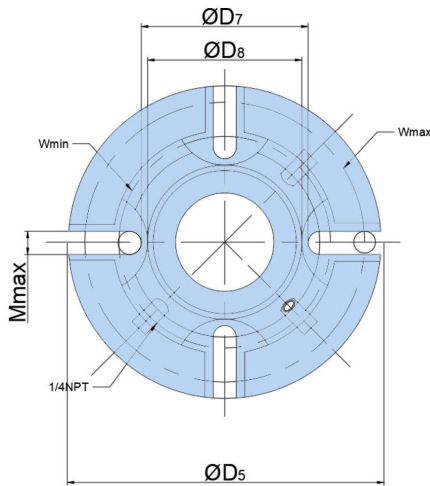


HMCS-A54(CURC)

Type: Single Cartridge Seal
 Replacement: AES CURC
 Temperature: -20°C to +210°C
 Pressure: ≤ 2.5 Mpa
 Speed: ≤ 15 m/s
 Material: A, Q1, V1, U2, E, V, Alfas, Karle, F, G, M



hengmi@mesel.com

d (mm)	D4		D5	D7	D8	W		M	L1	L2	L3
	min	max				min	max				
24	40.0	46.0	104.8	54.0	49.2	67.0	90.5	12	28.6	40.5	13.2
25	41.0	49.0	104.8	54.0	49.2	67.0	90.5	12	28.6	40.5	13.2
28	44.0	52.3	108.0	57.0	52.4	70.3	93.6	12	28.6	40.5	13.2
30	46.0	55.5	111.0	60.4	55.6	73.5	96.8	12	28.6	40.5	13.2
32	48.0	55.5	111.0	60.4	55.6	73.5	96.8	12	28.6	40.5	13.2
33	49.0	55.5	111.0	60.4	55.6	73.5	96.8	12	28.6	40.5	13.2
35	51.0	57.5	111.0	63.5	58.8	76.6	96.8	12	28.6	40.5	13.2
38	57.2	60.4	127.0	71.5	65.0	85.7	114.3	12	28.6	44.5	16.4
40	58.0	60.4	127.0	71.5	65.0	85.7	114.3	12	28.6	44.5	16.4
43	61.0	69.9	139.7	81.0	71.4	95.3	127.0	12	28.6	44.5	16.4
45	63.5	69.9	139.7	81.0	71.4	95.3	127.0	12	28.6	44.5	16.4
48	66.7	73.0	139.7	81.0	71.4	95.3	127.0	12	28.6	44.5	16.4
50	68.0	76.2	152.4	90.5	77.8	104.8	139.7	12	28.6	44.5	16.4
53	71.0	76.2	152.4	90.5	77.8	104.8	139.7	12	28.6	44.5	16.4
55	74.0	82.5	165.1	96.8	84.1	114.3	149.2	16	28.6	44.5	16.4
58	76.2	82.6	165.1	96.8	84.1	114.3	149.2	16	28.6	44.5	16.4
60	79.4	85.7	165.1	96.8	84.1	114.3	149.2	16	28.6	44.5	16.4
63	85.8	92.1	177.8	109.5	96.8	127.0	160.3	16	31.8	47.7	19.6
65	88.9	95.3	177.8	109.5	96.8	127.0	160.3	16	31.8	47.7	19.6
68	92.1	98.4	177.8	109.5	96.8	127.0	160.3	16	31.8	47.7	19.6
70	92.1	98.4	177.8	109.5	96.8	127.0	160.3	16	31.8	47.7	19.6
75	98.5	108.0	190.5	125.4	108.0	142.9	173.0	16	31.8	47.7	19.6
80	101.6	111.1	190.5	125.4	108.0	142.9	173.0	16	31.8	47.7	19.6
85	108.0	117.5	203.2	135.0	117.5	155.6	182.5	20	31.8	47.7	19.6
90	114.3	127.0	215.9	150.8	127.0	171.5	195.2	20	31.8	47.7	19.6
95	117.5	130.2	215.9	150.8	127.0	171.5	195.2	20	31.8	47.7	19.6
100	123.9	139.7	228.6	168.3	136.5	188.9	207.9	20	31.8	47.7	19.6
105	130.1	149.2	228.6	168.3	136.5	189.0	208.0	20	31.8	47.7	19.6
110	136.5	158.8	241.3	177.8	146.1	198.4	220.6	20	31.8	47.7	19.6
115	142.9	168.3	254.0	186.6	155.6	211.1	230.2	22	31.8	47.7	19.6
120	142.9	168.3	254.0	186.6	155.6	211.1	230.2	22	31.8	47.7	19.6
125	142.9	168.3	254.0	186.6	155.6	211.1	230.2	22	31.8	47.7	19.6