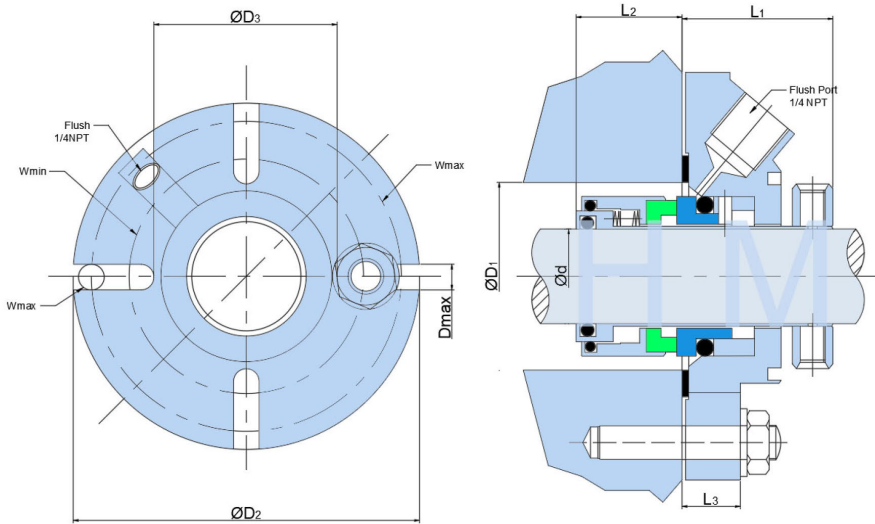


HMCS-A64(SCUSI)

Type: Single Cartridge Seal
 Replacement: AES SCUSI
 Temperature: -30°C to +205°C
 Pressure: ≤ 2.1 Mpa
 Speed: ≤ 25 m/s
 Material : B,A,Q1,Q2,U2,E,V,K,F,G,M



hengmi@meseal.com

d (mm)	D1		D2	D3	D		W max	M max	L1	L2	L3
	min	max			max	min					
24	40.0	46.0	101.6	52.4	14.3	66.7	88.9	12	34.4	26.8	12.5
25	41.0	49.2	104.8	55.6	14.3	69.9	92.0	12	34.4	26.8	12.5
28	44.0	52.4	108.0	58.7	14.3	73.0	95.3	12	34.4	26.8	12.5
30	46.0	55.6	111.0	61.9	14.3	76.2	98.4	12	34.4	26.8	12.5
32	48.0	55.6	111.0	61.9	14.3	76.2	98.4	12	34.4	26.8	12.5
33	49.0	55.6	111.0	61.9	14.3	76.2	98.4	12	34.4	26.8	12.5
35	50.8	58.7	111.0	66.7	14.3	79.4	98.4	12	34.4	26.8	12.5
38	57.2	63.5	127.0	73.0	14.3	87.3	114.3	12	34.4	27.7	16.4
40	57.2	63.5	127.0	73.0	14.3	87.3	114.3	12	34.4	27.7	16.4
43	60.3	63.5	127.0	73.0	14.3	87.3	114.3	12	34.4	27.7	16.4
45	63.5	66.7	133.4	76.2	14.3	90.5	120.7	12	34.4	27.7	16.4
48	66.7	76.2	139.7	84.1	14.3	98.4	127.0	12	34.4	27.7	16.4
50	66.7	76.2	139.7	84.1	14.3	98.4	127.0	12	34.4	27.7	16.4
53	69.9	76.2	139.7	84.1	14.3	98.4	127.0	12	35.9	29.2	16.4
55	73.0	84.1	146.0	93.7	17.5	111.1	130.2	16	35.9	29.2	16.4
58	76.2	84.1	146.0	93.7	17.5	111.1	130.2	16	35.9	29.2	16.4
60	79.4	90.5	152.4	100.0	17.5	117.5	136.5	16	35.9	29.2	16.4
63	85.7	93.7	158.8	106.4	17.5	123.8	142.9	16	35.9	30.5	16.4
65	88.9	95.3	158.8	106.4	17.5	123.8	142.9	16	35.9	30.5	16.4
70	92.1	98.4	158.8	106.4	17.5	123.8	142.9	16	35.9	30.5	16.4