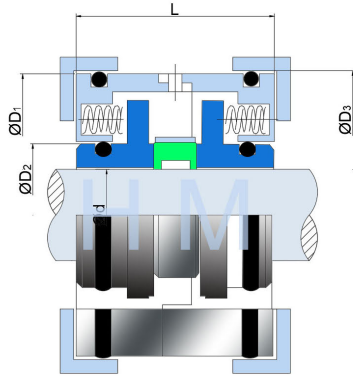


HMCS-A52(1640)



Type: Single Cartridge Seal, Suit for EMU Pumps and MIXERS

Replacement: AES 1640

Temperature: -40°C to $+200^{\circ}\text{C}$

Pressure: $\leq 1.2\text{Mpa}$

Speed: $\leq 20\text{m/s}$

Material: B,P,E,V,K,G,F,G

d (mm)	Code	D3	D2	D1	L
35	0.35	72	47	72	47
50	0.50	92	63	90	52
75	0.75	130	95	128	75

HMCS-A53(CONVERTOR II)



Type: Single Cartridge Seal

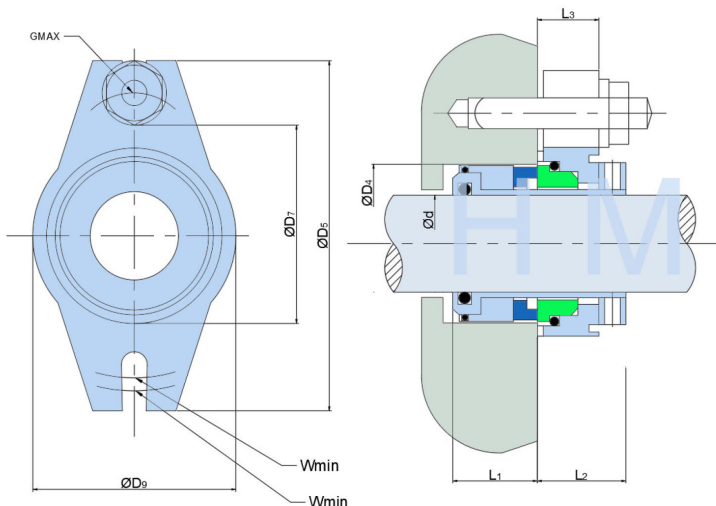
Replacement: AES CONVERTOR II

Temperature: -20°C to $+210^{\circ}\text{C}$

Pressure: $\leq 2.5\text{Mpa}$

Speed: $\leq 15\text{m/s}$

Material: Q1,Q2,U2,T,V,M1,F,G,M



hengmi@mesal.com



HMCS-A53(CONVERTOR II)

d (mm)	D4		D5	D7	D9	W		G	L1	L2	L3
	min	max				min	max				
24	40.0	48.0	101.6	55.6	56.1	69.9	88.9	12	28.6	31.8	20.7
25	41.0	48.0	101.6	55.6	56.1	69.9	88.9	12	28.6	31.8	20.7
28	44.0	50.0	104.8	58.8	59.3	73.1	92.1	12	28.6	31.8	20.7
30	46.0	54.0	108.0	61.9	62.4	76.2	95.3	12	28.6	31.8	20.7
32	48.0	54.0	108.0	61.9	62.4	76.2	95.3	12	28.6	31.8	20.7
33	49.0	55.0	108.0	61.9	62.4	76.2	95.3	12	28.6	31.8	20.7
35	51.0	59.0	108.0	66.7	67.2	81.0	95.3	12	28.6	31.8	20.7
38	57.2	62.0	114.3	71.5	72.0	85.8	101.6	12	28.6	33.4	22.3
40	58.0	64.0	114.3	71.5	72.0	85.8	101.6	12	28.6	33.4	22.3
43	61.0	67.0	120.7	74.6	75.1	88.9	108.0	12	28.6	33.4	22.3
45	63.5	69.0	127.0	77.8	78.3	92.1	114.3	12	30.2	35.0	23.8
48	66.7	72.0	133.4	81.0	81.5	95.3	120.7	12	30.2	35.0	23.8
50	68.0	74.0	133.4	81.0	81.5	95.3	120.7	12	30.2	35.0	23.8
53	71.0	77.0	139.7	84.2	84.7	101.6	123.9	16	30.2	36.5	25.4
55	74.0	79.0	146.1	87.3	87.8	104.8	130.2	16	30.2	36.5	25.4
58	79.4	85.7	165.1	95.3	98.9	115.9	146.0	20	30.2	36.5	25.4
60	79.4	85.7	165.1	95.3	98.9	115.9	146.0	20	30.2	36.5	25.4
63	85.8	101.6	177.8	111.2	121.2	131.8	158.7	20	28.6	41.2	25.4
65	88.9	101.6	177.8	111.2	121.2	131.8	158.7	20	28.6	41.2	25.4
68	92.1	101.6	177.8	111.2	121.2	131.8	158.7	20	28.6	41.2	25.4
70	92.1	101.6	177.8	111.2	121.2	131.8	158.7	20	28.6	41.2	25.4
75	98.5	114.3	190.5	125.4	130.7	146.1	171.4	20	30.2	50.8	31.7
80	101.6	114.3	190.5	125.4	130.7	146.1	171.4	20	30.2	50.8	31.7
85	108	123.8	203.2	135.0	140.2	155.6	184.1	20	30.2	50.8	31.7
90	114.3	133.3	215.9	144.5	149.7	165.1	196.8	20	30.2	50.8	31.7
95	117.5	133.3	215.9	144.5	149.7	165.1	196.8	20	30.2	50.8	31.7
100	123.9	139.7	228.6	154.0	156.1	174.7	209.5	20	30.2	50.8	31.7

d	D4		D5	D7	D9	W		G	L1	L2	L3
	min	max				min	max				
1.000	1.625	1.875	4.000	2.187	2.208	2.750	3.500	1/2	1.125	1.250	0.812
1.125	1.750	2.000	4.125	2.312	2.333	2.875	3.625	1/2	1.125	1.250	0.812
1.250	1.875	2.125	4.250	2.437	2.458	3.000	3.750	1/2	1.125	1.250	0.812
1.375	2.000	2.250	4.250	2.625	2.645	3.187	3.750	1/2	1.125	1.250	0.812
1.500	2.250	2.500	4.500	2.812	2.833	3.375	4.000	1/2	1.125	1.312	0.875
1.625	2.375	2.625	4.750	2.937	2.958	3.500	4.250	1/2	1.125	1.312	0.875
1.750	2.500	2.750	5.000	3.062	3.083	3.625	4.500	1/2	1.187	1.375	0.937
1.875	2.625	2.875	5.250	3.187	3.207	3.750	4.750	1/2	1.187	1.375	0.937
2.000	2.750	3.000	5.500	3.312	3.333	4.000	4.875	5/8	1.187	1.437	1.000
2.125	2.875	3.125	5.750	3.437	3.458	4.125	5.125	5/8	1.187	1.437	1.000
2.250	3.000	3.375	6.500	3.750	3.895	4.562	5.750	3/4	1.187	1.437	1.000
2.375	3.125	3.375	6.500	3.750	3.895	4.562	5.750	3/4	1.187	1.437	1.000
2.500	3.375	4.000	7.000	4.375	4.770	5.187	6.250	3/4	1.125	1.625	1.000
2.625	3.500	4.000	7.000	4.375	4.770	5.187	6.250	3/4	1.125	1.625	1.000
2.750	3.625	4.000	7.000	4.375	4.770	5.187	6.250	3/4	1.125	1.625	1.000
2.875	3.750	4.500	7.500	4.937	5.145	5.750	6.750	3/4	1.187	2.000	1.250
3.000	3.875	4.500	7.500	4.937	5.145	5.750	6.750	3/4	1.187	2.000	1.250
3.125	4.000	4.500	7.500	4.937	5.145	5.750	6.750	3/4	1.187	2.000	1.250
3.250	4.125	4.875	8.000	5.312	5.520	6.125	7.250	3/4	1.187	2.000	1.250
3.375	4.250	4.875	8.000	5.312	5.520	6.125	7.250	3/4	1.187	2.000	1.250
3.500	4.275	4.875	8.000	5.312	5.520	6.125	7.250	3/4	1.187	2.000	1.250
3.625	4.500	5.250	8.500	5.687	5.895	6.500	7.750	3/4	1.125	2.000	1.250
3.750	4.625	5.250	8.500	5.687	5.895	6.500	7.750	3/4	1.125	2.000	1.250
3.875	4.750	5.250	8.500	5.687	5.895	6.500	7.750	3/4	1.125	2.000	1.250
4.000	4.875	5.500	9.000	6.062	6.145	6.875	8.250	3/4	1.187	2.000	1.250