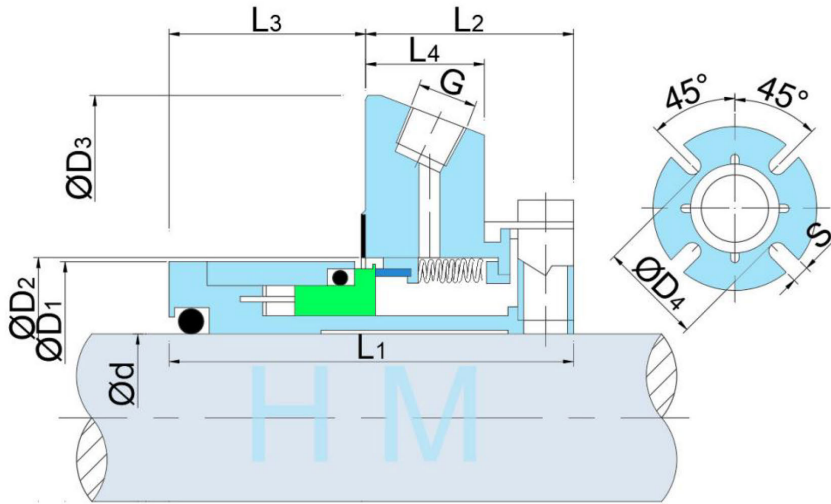


HMMB-B12(TS700)

Type: Metal Bellow Seal
 Replacement: Burgmann TS700
 Temperature: -30°C to +200°C
 Pressure: ≤ 2.0 Mpa
 Speed: ≤ 25 m/s
 Material: A,B,Q1,Q2,T,V,M1,F,G,T6,M



hengmi@mesel.com

d (mm)	D1	D2		D3	D4	L1	L2	L3	L4	G (inch)	S
		min	max								
25	43.0	44.0	51.0	105	62	67	42.4	24.6	25.4	1/4"	14
28	46.0	47.0	52.0	105	62	67	42.4	24.6	25.4	1/4"	14
30	48.0	49.0	56.0	105	65	67	42.4	24.6	25.4	1/4"	14
32	49.8	51.0	57.0	110	67	67	42.4	24.6	25.4	1/4"	14
33	49.8	51.0	57.0	no	67	67	42.4	24.6	25.4	1/4"	14
35	53.0	54.0	61.5	113	71	67	42.4	24.6	25.4	1/4"	14
38	56.0	57.0	66.0	123	76	67	42.4	24.6	25.4	1/4"	14
40	58.0	59.0	68.0	123	76	67	42.4	24.6	25.4	3/8"	16
42	60.5	61.5	69.5	133	80	67	42.4	24.6	25.4	3/8"	16
43	60.5	61.5	70.5	133	80	67	42.4	24.6	25.4	3/8"	16
45	62.5	64.0	73.0	138	83	67	42.4	24.6	25.4	3/8"	16
48	65.6	67.0	75.0	138	85	67	42.4	24.6	25.4	3/8"	16
50	68.0	69.0	78.0	148	88	67	42.4	24.6	25.4	3/8"	16
53	72.0	73.0	83.0	148	98	67	42.4	24.6	25.4	3/8"	18
55	73.0	74.0	87.0	148	98	67	42.4	24.6	25.4	3/8"	18
60	78.0	79.0	91.0	157	102	67	42.4	24.6	25.4	3/8"	18
65	83.0	84.5	98.5	163	109	67	42.4	24.6	25.4	3/8"	18
70	93.0	95.0	108.0	178	118	67	42.4	24.6	25.4	3/8"	18
75	100.0	101.6	118.0	190	129	84	57.4	26.6	28.0	3/8"	18
80	106.4	108.0	124.0	195	135	84	57.4	26.6	28.0	3/8"	18
85	109.5	111.1	128.0	198	139	84	57.4	26.6	28.0	3/8"	22
90	115.9	117.5	135.0	205	145	84	57.4	26.6	28.0	3/8"	22
95	119.1	120.7	138.0	208	148	84	57.4	26.6	28.0	3/8"	22
100	125.4	127.0	144.0	218	154	84	57.4	26.6	28.0	3/8"	22