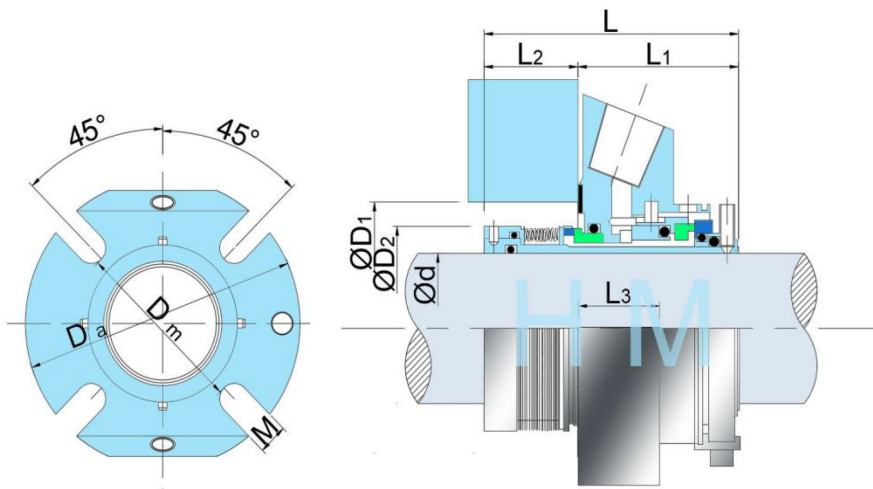


HMMB-B11(Mtex-D)



Type: Metal Bellow Seal
 Replacement: Burgmann Mtex-D
 Temperature: -40°C to +220°C
 Pressure: ≤ 2.5 Mpa
 Speed: ≤ 20 m/s
 Material: A, Q1, U2, V, E, K, G, M6, M



hengmi@mesel.com

d (mm)	D1 (min)	D1 (max)	D2	Da	Dm	L	L1	L2	L3	M
25	47.0	51.0	45.0	105	62.0	87.0	53.4	33.6	25.4	13.2
30	52.0	56.0	49.4	105	67.0	86.5	53.4	33.1	25.4	13.2
32	54.5	57.0	52.3	108	70.0	86.5	53.4	33.1	25.4	13.2
33	54.5	57.0	52.3	108	70.0	86.5	53.4	33.1	25.4	13.2
35	58.0	61.5	54.8	113	72.0	86.5	53.4	33.1	25.4	13.2
38	60.0	66.0	57.5	123	75.0	86.5	53.4	33.1	25.4	14
40	62.0	68.0	58.8	123	77.0	86.3	53.4	32.9	25.4	14.2
43	64.5	70.5	61.9	133	80.0	86.5	53.4	33.1	25.4	14.2
45	68.5	73.0	65.0	138	82.0	86.5	53.4	33.1	25.4	14.2
48	71.0	75.0	68.4	138	85.0	86.8	53.4	33.4	25.4	14.2
50	73.0	78.0	70.0	148	87.0	87.2	53.4	33.8	25.4	14.2
53	75.0	87.0	71.9	148	97.0	87.4	53.4	34.0	25.4	18.0
55	77.0	83.0	74.6	148	92.0	87.0	53.4	33.6	25.4	18.0
60	87.0	91.0	83.9	157	102.0	88.2	53.4	34.8	25.4	18.0
65	90.0	98.5	87.5	163	109.3	88.1	53.4	34.7	25.4	18.0
70	98.0	108.0	93.0	178	118.3	89.6	53.4	36.2	25.4	18.0
75	101.6	118.0	96.8	190	129.0	107.4	63.9	43.5	28.0	18.0
80	108.0	124.0	104.7	195	135.0	106.8	63.9	42.9	28.0	18.0