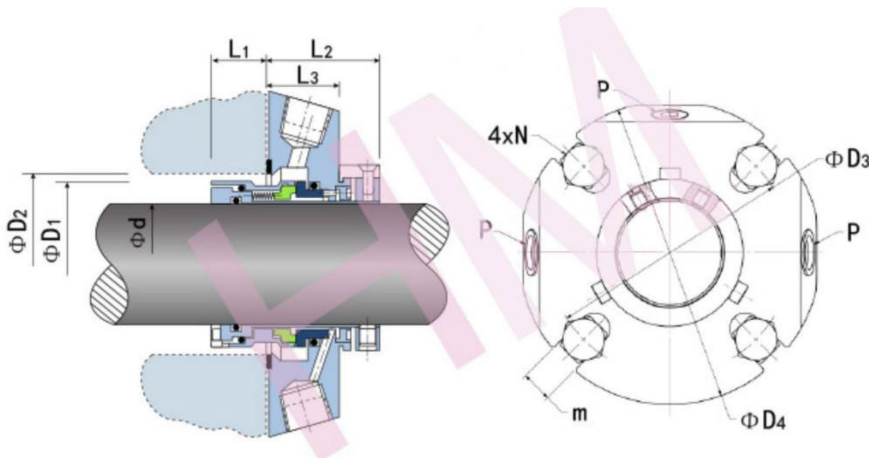


# HMCS-C04(150)

Type: Single Cartridge Seal  
 Replacement: Chesterton 150  
 Temperature: -40 to +204°C  
 Pressure: ≤4Mpa  
 Speed: ≤20m/s  
 Material : Q1,Q2,A,B,U1,U2,P,  
 E,V,T,F,G,T2,M5



[hengmi@mesal.com](mailto:hengmi@mesal.com)

d (mm)	D1		D2		D3				D4	L1	L2	L3	m	P (NPT)
	max	min	max	10mm	12mm	16mm	20mm							
25	40.0	41	51	73	*	*	*	104	19.8	46.0	28	11.2	1/4-18	
28	42.6	44	52	73	*	*	*	104	19.8	46.0	28	11.2	1/4-18	
30	44.6	46	57	78	*	*	*	104	19.8	46.0	28	11.2	1/4-18	
32	46.6	48	58	80	*	*	*	104	19.8	46.0	28	11.2	1/4-18	
33	47.6	49	59	81	83	*	*	113	19.8	46.0	28	14.5	1/4-18	
35	49.6	51	59	80	82	*	*	111	19.8	46.0	28	14.5	1/4-18	
38	55.6	57	67	85	87	*	*	114	21.9	44.5	28	14.5	1/4-18	
40	57.6	59	68	90	92	*	*	126	21.9	44.5	28	13.6	3/8-18	
43	60.5	62	69	91	93	*	*	126	21.9	44.5	28	13.6	3/8-18	
45	62.5	64	73	95	97	*	*	139	21.9	44.5	28	13.6	3/8-18	
48	65.5	67	73	95	97	*	*	139	21.9	44.5	28	13.6	3/8-18	
50	67.5	69	78	100	102	*	*	139	21.9	44.5	28	13.6	3/8-18	
53	71.5	73	87	109	111	115		152	21.9	44.5	28	17.5	3/8-18	
55	72.5	74	83	105	107	111	*	152	21.9	44.5	28	17.5	3/8-18	
58	77.9	80	91	114	116	120		152	21.9	44.5	28	17.5	3/8-18	
60	77.9	80	91	114	116	120	*	152	21.9	44.5	28	17.5	3/8-18	
63	81.0	83	97	119	121	125		165	21.9	44.5	28	17.5	3/8-18	
65	84.2	86	100	125	127	131	*	164	21.9	44.5	28	17.5	3/8-18	
68	85.5	87	100	125	127	131		165	21.9	44.5	28	17.5	3/8-18	
70	93.6	96	111	*	137	141	*	196	21.9	44.5	37	17.5	1/2-14	
75	99.8	102	119	*	143	147	*	202	35.1	57.1	37	17.5	1/2-14	
80	103.6	106	122	*	147	151	*	203	35.1	57.1	37	17.5	1/2-14	
85	109.3	111	128	*	152	156	160	211	35.1	57.1	37	20.6	1/2-14	
90	113.6	116	132	*	156	160	164	214	35.1	57.1	37	20.6	1/2-14	
95	118.8	121	137	*	161	165	169	221	35.1	57.1	37	20.6	1/2-14	
100	125.2	127	144	*	168	172	176	228	35.1	57.1	37	20.6	1/2-14	
105	128.6	131	148		172	176	180	228	35.1	57.1	37	20.6	1/2-14	
110	134.7	137	154	*	177	181	185	237	35.1	57.1	37	20.6	1/2-14	
115	141.0	143	160		182	186	190	241	35.1	57.1	37	20.6	1/2-14	
120	144.2	146	164	*	187	191	195	266	35.1	57.1	37	20.6	1/2-14	