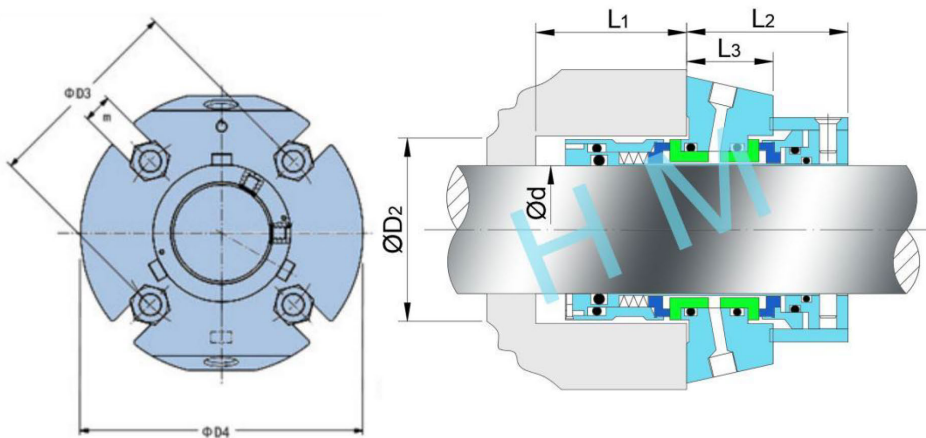


HMCS-C09(250)

Type: Double Cartridge Seal
 Replacement: Chesterton 250
 Temperature: -40°C to +204°C
 Pressure: ≤ 4.0 Mpa
 Speed: ≤ 20 m/s
 Material: Q1, Q2, A, B, U1, U2, P, E, V, T, F, G, T2, M5



hengmi@meseal.com

d (mm)	D2		D3			D4	L1	L2	L3	m
	min	max	1 0 mm	1 2 mm	1 6 mm					
25	41	51	73	*	*	104	36.6	52.3	28	11.2
28	44	52	73	*	*	104	36.6	52.3	28	11.2
30	46	57	78	*	*	104	36.6	52.3	28	11.2
32	48	58	80	*	*	104	36.6	52.3	28	11.2
33	49	59	81	83	*	113	36.6	52.3	28	14.5
35	51	59	80	82	*	111	36.6	52.3	28	14.5
38	57	67	85	87	*	114	38.8	52.3	29	14.5
40	59	68	90	92	*	126	38.8	52.3	29	13.6
43	62	69	91	93	*	126	38.8	52.3	29	13.6
45	64	73	95	97	*	139	38.8	52.3	29	13.6
48	67	73	95	97	*	139	38.8	52.3	29	13.6
50	69	78	100	102	*	139	38.8	52.3	29	13.6
53	73	87	109	111	115	152	38.8	52.3	29	17.5
55	74	83	105	107	111	152	38.8	52.3	29	17.5
58	80	91	114	116	120	152	38.8	52.3	29	17.5
60	80	91	114	116	120	152	38.8	52.3	29	17.5
63	83	97	119	121	125	165	38.8	52.3	29	17.5
65	86	100	125	127	131	164	38.8	52.3	29	17.5
68	87	100	125	127	131	165	38.8	52.3	29	17.5
			1 2 mm	1 6 mm	2 0 mm					
70	96	111	*	137	141	196	58.2	63.5	35.8	17.5
75	102	119	*	143	147	202	58.2	63.5	35.8	17.5
80	106	122	*	147	151	203	58.2	63.5	35.8	17.5
85	111	128	*	152	156	211	58.2	63.5	35.8	20.6
90	116	132	*	156	160	214	58.2	63.5	35.8	20.6
95	121	137	*	161	165	221	58.2	63.5	35.8	20.6
100	127	144	*	168	172	228	58.2	63.5	35.8	20.6