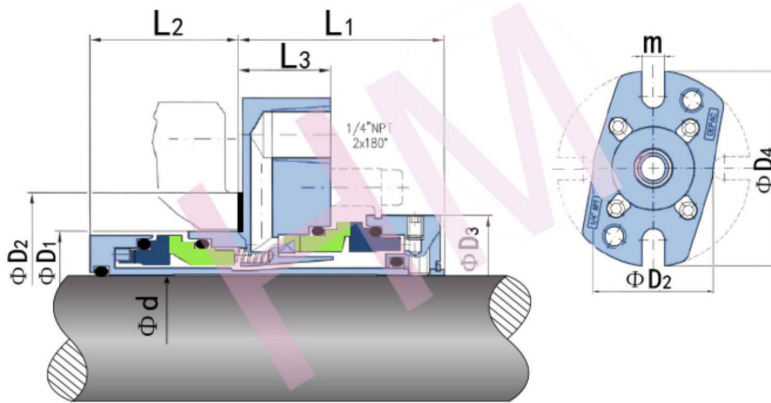


HMCS-DP321/322/323/326

Type: Double Cartredge Seal
 Replacement: DEPAC 321/322/323/326
 Temperature: Elastomer dependent
 Pressure : $\leq 2.80\text{Mpa}$
 Speed: $\leq 35\text{m/s}$
 Material : B , A , Q1 , Q2 , E ,
 N , V , G



321

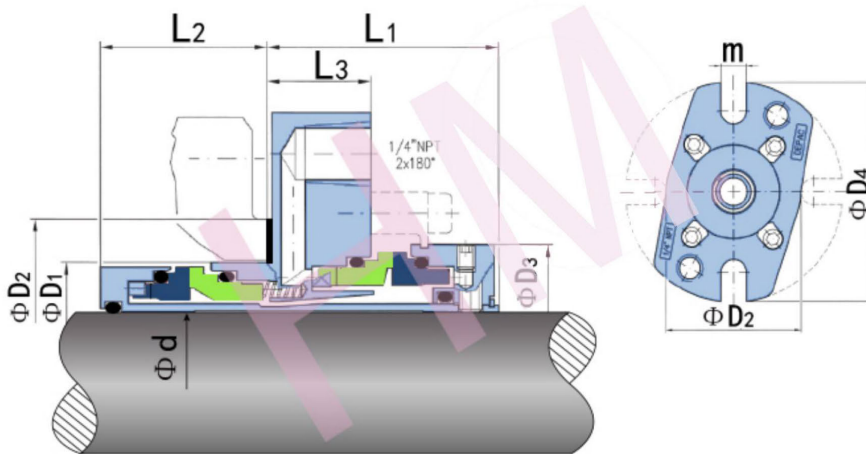


hengmi@meseal.com

d (mm)	D1	D2	D3	D4	L1	L2	L3	M
24	44.7	60	47	105	54	35	24	12.5
25	44.7	60	47	105	54	35	24	12.5
28	44.7	60	50	105	54	35	24	12.5
30	49.7	60	52	105	54	35	24	12.5
32	50.9	60	54	105	54	35	24	12.5
33	50.9	60	55	105	54	35	24	12.5
35	54.7	67	57	115	54	35	24	12.5
38	57.7	75	60	130	54	35	24	14.7
40	59.7	75	62	130	54	35	24	14.7
43	62.7	82	65	140	54	35	24	14.7
45	64.7	82	67	140	54	35	24	14.7
48	67.7	82	70	140	54	35	24	17.5
50	69.7	82	72	140	54	35	24	17.5
53	72.7	92	75	150	54	35	24	17.5
55	74.7	92	77	150	54	35	24	17.5
60	79.7	100	82	160	54	35	24	17.5
65	84.7	100	87	160	54	35	24	17.5
70	89.7	112	92	180	54	35	24	17.5
75	102.8	125	103	190	58	39	25	17.5
80	107.8	130	108	190	58	39	25	17.5
85	112.8	135	113	220	58	39	25	21.5
90	117.8	140	118	220	58	39	25	21.5
95	122.8	145	123	220	58	39	25	21.5
100	127.8	150	128	220	58	39	25	21.5

HMCS-DP321/322/323/326

322

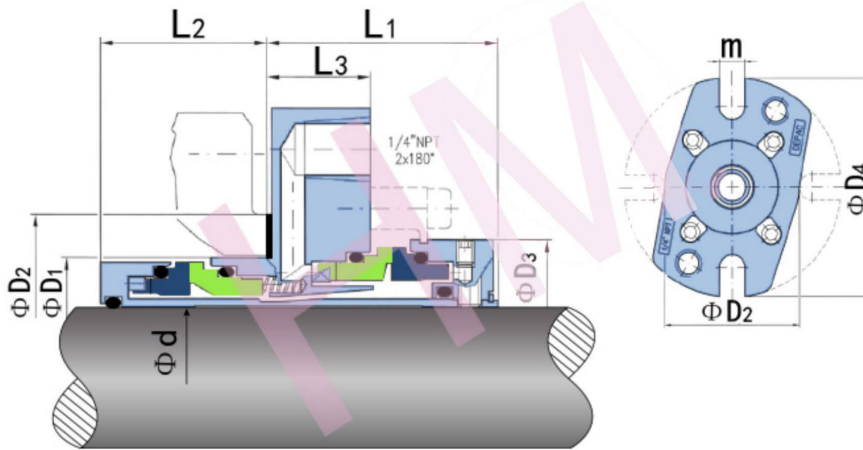


hengmi@mesel.com

d (mm)	D1	D2	D3	D4	L1	L2	L3	M
24	44.7	60	52	105	50	35	24	12.5
25	44.7	60	52	105	50	35	24	12.5
28	44.7	60	55	105	50	35	24	12.5
30	49.7	60	57	105	50	35	24	12.5
32	50.9	60	60	105	50	35	24	12.5
33	50.9	60	60	105	50	35	24	12.5
35	54.7	67	62	115	50	35	24	12.5
38	57.7	75	65	130	50	35	24	14.7
40	59.7	75	67	130	50	35	24	14.7
43	62.7	82	70	130	50	35	24	14.7
45	64.7	82	72	140	50	35	24	14.7
48	67.7	82	75	140	50	35	24	17.5
50	69.7	82	77	140	50	35	24	17.5
53	72.7	92	80	150	50	35	24	17.5
55	74.7	92	82	150	50	35	24	17.5
60	79.7	100	87	160	50	35	24	17.5
65	84.7	100	92	160	50	35	24	17.5
70	89.7	112	97	180	50	35	24	17.5
75	102.8	125	108	190	54	39	25	17.5
80	107.8	130	113	190	54	39	25	17.5
85	112.8	135	118	220	54	39	25	21.5
90	117.8	140	123	220	54	39	25	21.5
95	122.8	145	128	220	54	39	25	21.5
100	127.8	150	133	220	54	39	25	21.5

HMCS-DP321/322/323/326

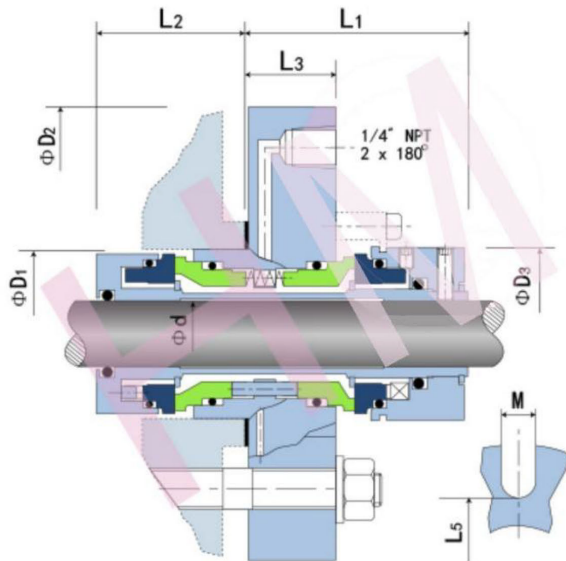
323



hengmi@meseal.com

d (mm)	D1	D2	D3	D4	L1	L2	L3	M
24	49.7	67	52	115	50	35	24	12.5
25	49.7	67	52	115	50	35	24	12.5
28	52.7	67	55	115	50	35	24	12.5
30	54.7	67	57	115	50	35	24	12.5
32	57.5	75	60	130	50	35	24	14.7
33	57.7	75	60	130	50	35	24	14.7
35	59.7	75	62	130	50	35	24	14.7
38	62.7	82	65	140	50	35	24	14.7
40	64.7	82	67	140	50	35	24	14.7
43	67.7	82	70	140	50	35	24	14.7
45	69.7	82	72	140	50	35	24	14.7
48	72.7	92	75	150	50	35	24	17.5
50	74.7	92	77	150	50	35	24	17.5
53	77.7	92	80	150	50	35	24	17.5
55	79.7	100	82	160	50	35	24	17.5
60	84.7	100	87	160	50	35	24	17.5
65	89.7	112	92	180	50	35	24	17.5
70	94.7	112	97	180	50	35	24	17.5
75	107.8	130	108	190	54	39	25	17.5
80	112.8	135	113	220	54	39	25	17.5
85	117.8	140	118	220	54	39	25	21.5
90	122.8	145	123	220	54	39	25	21.5
95	127.8	150	128	220	54	39	25	21.5
100	132.8	155	133	240	54	39	25	21.5

HMCS-DP321/322/323/326



326



hengmi@meseal.com

d (mm)	D1	D2	D3	L1	L2	L3	L5	M
24	45.7	105	47	56.0	33.0	24.5	60	13
25	45.7	105	47	56.0	33.0	24.5	60	13
28	48.7	105	50	56.0	33.0	24.5	60	13
30	50.7	115	52	56.0	33.0	24.5	67	13
32	52.7	115	54	56.0	33.0	24.5	67	13
33	53.7	115	55	56.0	33.0	24.5	67	13
35	55.7	115	57	56.0	33.0	24.5	67	13
38	58.7	130	60	56.0	33.0	24.5	75	15
40	60.7	130	62	56.0	33.0	24.5	75	15
42	62.7	140	64	56.0	33.0	24.5	82	15
43	63.7	140	65	56.0	33.0	24.5	82	15
45	65.7	140	67	56.0	33.0	24.5	82	15
48	68.7	140	70	56.0	33.0	24.5	82	15
50	70.7	140	72	56.0	33.0	24.5	82	15
53	73.7	150	75	56.0	33.0	24.5	92	18
55	75.7	150	77	56.0	33.0	24.5	92	18
60	80.7	160	82	56.0	33.0	24.5	100	18
65	85.7	160	87	56.0	33.0	24.5	100	18
70	90.7	180	92	56.0	33.0	24.5	112	18
75	102.8	190	103	58.4	38.6	25.5	125	18
80	107.8	190	108	58.4	38.6	25.5	130	18
85	112.8	220	113	58.4	38.6	25.5	135	22
90	117.8	220	118	58.4	38.6	25.5	140	22
95	122.8	220	123	58.4	38.6	25.5	145	22
100	127.8	220	128	58.4	38.6	25.5	150	22