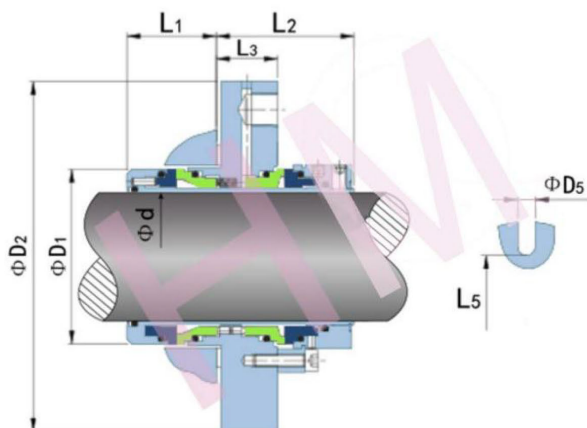


HMCS-DP320

Type: Double Cartridge Seal
 Replacement: DEPAC 320
 Temperature: Elastomer dependent
 Pressure: $\leq 2.80\text{Mpa}$
 Speed: $\leq 35\text{m/s}$
 Material: Q1, Q2, U2, T, P,
 M1, F, G, M



hengmi@meseal.com

d (mm)	D1	D2	D5	L1	L2	L3	L5
24	44.5	104	12.5	35	54	24	62
25	44.5	104	12.5	35	54	24	62
28	47.5	104	12.5	35	54	24	62
30	49.5	104	12.5	35	54	24	67
32	51.5	104	12.5	35	54	24	67
33	51.5	104	12.5	35	54	24	67
35	54.5	110	12.5	35	54	24	70
38	57.5	125	14.7	35	54	24	75
40	59.5	125	14.7	35	54	24	75
42	61.5	133	14.7	35	54	24	80
43	62.5	133	14.7	35	54	24	80
45	64.5	140	14.7	35	54	24	82
48	67.5	140	14.7	35	54	24	82
50	69.5	140	14.7	35	54	24	87
53	72.5	150	17.5	35	54	24	92
55	74.5	150	17.5	35	54	24	92
60	79.5	160	17.5	35	54	24	100
65	84.5	165	17.5	35	54	24	105
70	89.5	180	17.5	35	54	24	120
75	102.0	190	17.5	39	58	26	125
80	107.0	190	17.5	39	58	26	130
85	112.0	220	21.5	39	58	26	135
90	117.0	220	21.5	39	58	26	140
95	122.0	220	21.5	39	58	26	145
100	127.0	220	21.5	39	58	26	150