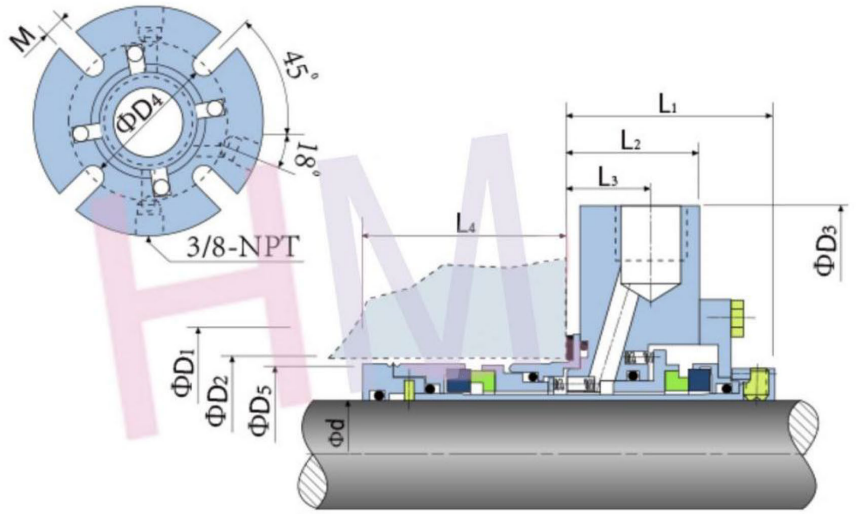


HMCS-F43(75)

Type: Double Cartridge Seal
 Replacement: FLEXA 75
 Temperature: -30°C to +290°C
 Pressure: ≤80Bar
 Speed: ≤50m/s
 Material: B, A, Q1, Q2, U2, E,
 V, K, G, F, G, M5, T6



d (mm)	D1	D2	D3	D4	D5	L1	L2	L3	L4	M
24	56.6	44.5	101.6	60.3	43.2	50.8	32.5	19.0	49.7	11.1
25	56.6	44.5	101.6	60.3	43.2	50.8	32.5	19.0	49.7	11.1
28	56.6	44.5	108.0	62.7	43.2	50.8	32.5	19.0	49.7	11.1
30	59.8	50.8	108.0	65.6	49.5	50.8	32.5	19.0	49.7	11.1
32	59.8	50.8	108.0	65.6	49.5	50.8	32.5	19.0	49.7	11.1
33	63.0	50.8	108.0	68.9	49.5	50.8	32.5	19.0	49.7	11.1
35	63.0	50.8	108.0	68.9	49.5	50.8	32.5	19.0	49.7	11.1
38	66.2	57.2	114.3	74.9	55.9	50.8	32.5	19.0	49.7	14.3
40	72.5	60.3	127.0	78.1	59.1	50.8	32.5	19.0	49.7	14.3
43	75.9	63.5	139.7	81.0	62.2	50.8	32.5	20.6	49.7	14.3
45	75.9	63.5	139.7	81.0	62.2	50.8	32.5	20.6	49.7	14.3
48	78.9	66.7	139.7	84.2	65.4	50.8	32.5	19.0	49.7	14.3
50	82.0	69.9	139.7	90.7	68.6	50.8	32.5	19.0	49.7	14.3
53	88.6	73.0	152.4	93.7	71.8	50.8	32.5	19.0	49.7	17.5
55	91.6	76.2	158.8	96.9	74.9	50.8	32.5	19.0	49.7	17.5
58	94.7	82.6	158.8	100.0	81.2	58.5	33.4	19.0	52.8	17.5
60	94.7	82.6	158.8	100.0	81.2	58.8	33.4	19.0	52.8	17.5
63	97.9	85.7	165.1	100.0	84.3	51.7	33.4	19.0	51.0	17.5
65	103.4	92.1	165.1	106.4	90.4	51.7	33.4	19.0	52.1	17.5
68	109.7	95.2	190.5	112.7	92.7	51.7	33.4	19.0	52.1	17.5
70	109.7	95.2	190.5	112.7	92.7	51.7	33.4	19.0	52.1	17.5
72	113.0	98.4	190.5	117.5	96.1	58.5	40.1	19.0	56.0	17.5
75	119.4	101.6	203.2	128.6	99.1	58.4	40.1	19.0	55.9	17.5
80	125.7	108.0	209.6	131.7	106.0	57.2	38.8	19.0	58.8	17.5
85	128.9	111.	215.9	134.9	109.2	58.5	40.1	19.0	57.2	20.6
90	135.3	117.5	215.9	141.3	115.7	58.5	40.1	19.0	57.2	20.6
95	138.4	120.6	222.2	164.3	118.9	58.5	40.1	19.0	56.0	20.6