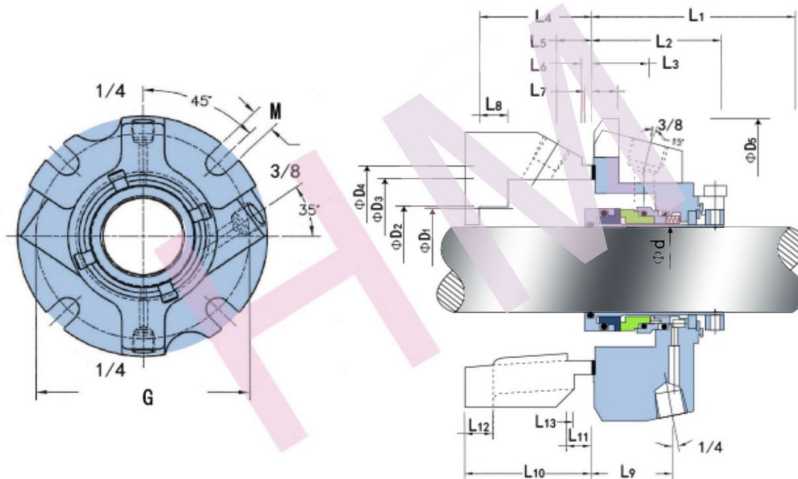


HMCS-F07(ISC1)



Type: Double Cartridge Seal, Suit Sulzer Process Pumps
 Replacement: Flowserve ISC1
 Temperature: -40 to +180°C
 Pressure: ≤25 Bar
 Speed: ≤10m/s
 Material : Q1,Q2,U2,T,V,M1,F,G,M



Equivalent with
 Flowserve ISC1 seal

