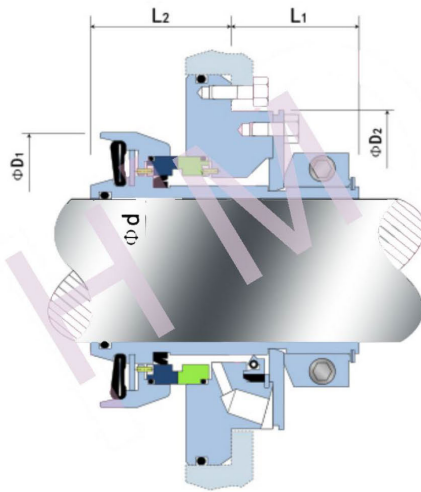


HMCS-F05(SLC)



Type: Single Cartridge Seal
 Replacement: Flowserve SLC,
 Suit for Warman Pump
 Temperature: $\leq 110^{\circ}\text{C}$
 Pressure: ≤ 20.7 Bar
 Speed: $\leq 15\text{m/s}$
 Material: A,B,U1,U2,Q1,Q2,G,M5



hengmi@mesel.com

Group	d (mm)	D1	D2	wet end		dry end	
				L1	L2	L1	L2
1	35-54	99.7	127.8	52.4	62.2	56.2	55.5
2	54-82	136.0	156.5	57.9	62.7	58.6	58.1
3	82-106	170.0	186.4	59.9	67.3	61.6	65.5
4	106-138	202.1	229.6	77.7	67.8	67.4	69.2
5	168-181	257.9	280.9	83.6	78.5	66.5	77.4
6	181-220	313.2	329.6	99.3	92.4	99.3	92.1

Group	d (inch)	D1	D2	wet end		dry end	
				L1	L2	L1	L2
1	1.375-2.125	3.91	5.03	2.06	2.45	2.21	2.18
2	2.125-3.125	5.35	6.19	2.28	2.47	2.31	2.29
3	3.125-4.125	6.69	7.34	2.36	2.65	2.42	2.58
4	4.125-5.438	7.96	9.04	3.06	2.67	2.65	2.72
5	5.438-7.125	10.15	11.06	3.29	3.09	2.62	3.05
6	7.125-8.661	12.33	12.98	3.91	3.63	3.91	3.63