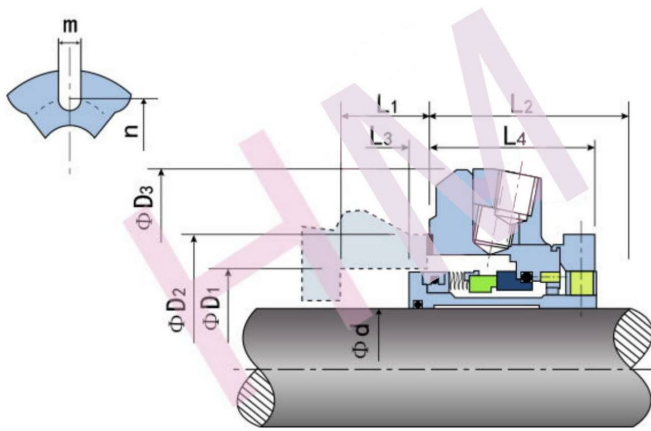


HMMB-F01(ISC1BX)



Type: Metal Bellow Seal
 Replacement: Flowserve ICS1BX
 Temperature: -40°C to +220°C
 Pressure: ≤ 2.0 Mpa
 Speed: ≤ 23 m/s
 Material: A,B,Q1,Q2,U1,U2,
 T,T6,V,G,F,M,M1



hengmi@mes seal.com

d (inch)	D1		D2	D3	L1 (min)	L2	L3	L4	N	M
	min	max								
1.000	1.625	1.875	2.115	3.69 ~ 3.75	0.274	1.975	0.212	1.913	2.750	0.440
1.125	1.750	2.000	2.240	3.69 ~ 3.75	0.274	1.975	0.212	1.913	2.875	0.440
1.250	1.89	2.245	2.495	4.19 ~ 4.25	0.274	1.975	0.212	1.913	3.125	0.562
1.375	2.000	2.375	2.615	3.94 ~ 4.00	0.264	1.975	0.212	1.913	3.250	0.440
1.437	2.250	2.688	2.775	4.72 ~ 4.78	0.284	2.035	0.222	1.973	3.750	0.560
1.500	2.250	2.525	2.775	4.69 ~ 4.75	0.264	2.035	0.202	1.973	3.750	0.560
1.625	2.375	2.780	3.030	4.69 ~ 4.75	0.264	2.035	0.202	1.973	3.750	0.560
1.750	2.500	2.875	3.150	4.94 ~ 5.00	0.264	2.035	0.202	1.973	3.875	0.560
1.875	2.625	2.875	3.150	4.94 ~ 5.00	0.264	2.035	0.202	1.973	3.875	0.560
1.937	2.690	2.920	\	\	0.269	2.035	0.207	1.973	\	\
2.000	2.750	3.030	3.280	5.00 ~ 5.12	0.264	2.035	0.202	1.973	1.120	0.688
2.125	2.875	3.125	3.430	5.94 ~ 6.00	0.264	2.035	0.202	1.973	4.250	0.750
2.250	3.000	3.280	\	\	0.268	2.035	0.206	1.973	\	\
2.375	3.125	3.687	3.975	6.32 ~ 6.38	0.264	2.035	0.202	1.973	4.875	0.750
2.437	3.375	3.450	\	6.32 ~ 6.38	0.295	2.004	0.233	1.942	4.875	0.750
2.500	3.375	3.687	3.975	6.32 ~ 6.38	0.264	2.035	0.202	1.973	4.875	0.750
2.625	3.625	4.312	4.615	7.19 ~ 7.25	0.266	2.788	0.204	2.726	5.625	0.880
2.750	3.750	4.312	4.615	7.19 ~ 7.25	0.266	2.788	0.204	2.726	5.625	0.880