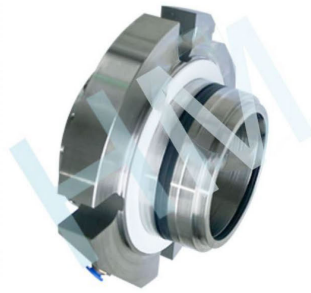


HMCS-FT06(C2DQ)



Type: Single Cartridge Seal with throttle bushing for low pressure quench, Recommended for high duty service.

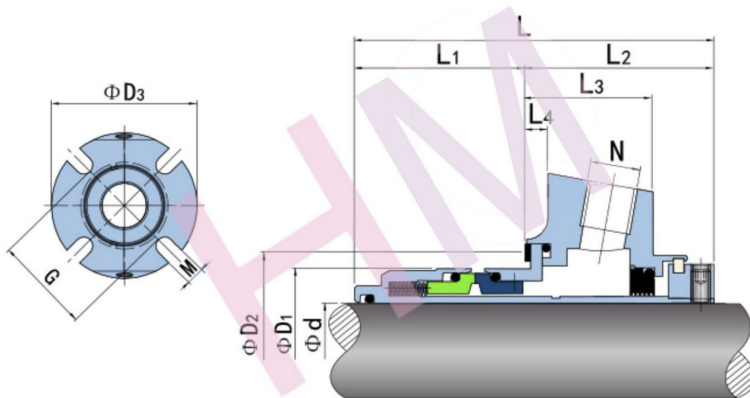
Replacement: Fluiten C2DQ

Temperature: -40 to +260°C

Pressure : ≤25 Bar

Speed: ≤12m/s

Material : Q1,Q2,U2,T,V,M1,F,G,M



hengmi@meseal.com

| d (mm) | D1 | D2 | | D5 | G | L | L1 | L2 | L3 | L4 | M | N |
|-----------|-----|-------|-------|-----|-----|-------|------|------|------|----|----|------|
| | | min | max | | | | | | | | | |
| 25 | 43 | 44.0 | 51.0 | 98 | 63 | 94.0 | 44.5 | 49.5 | 33.5 | 6 | 12 | 1/4" |
| 28 | 46 | 47.0 | 52.0 | 98 | 28 | 94.0 | 44.5 | 49.5 | 33.5 | 6 | 12 | 1/4" |
| 30 | 48 | 49.0 | 56.0 | 98 | 65 | 94.0 | 44.5 | 49.5 | 33.5 | 6 | 12 | 1/4" |
| 32 | 50 | 51.0 | 57.0 | 106 | 67 | 94.0 | 44.5 | 49.5 | 33.5 | 6 | 12 | 1/4" |
| 33 | 53 | 54.0 | 61.5 | 106 | 71 | 97.5 | 44.5 | 53.0 | 36.0 | 6 | 12 | 1/4" |
| 35 | 53 | 54.0 | 61.5 | 106 | 71 | 97.5 | 44.5 | 53.0 | 36.0 | 6 | 12 | 1/4" |
| 38 | 56 | 57.0 | 66.0 | 120 | 76 | 98.5 | 44.5 | 54.0 | 37.0 | 6 | 12 | 1/4" |
| 40 | 58 | 59.0 | 68.0 | 120 | 76 | 98.5 | 44.5 | 54.0 | 37.0 | 6 | 12 | 1/4" |
| 43 | 61 | 62.0 | 70.5 | 130 | 81 | 98.5 | 44.5 | 54.0 | 37.0 | 6 | 12 | 1/4" |
| 45 | 63 | 64.0 | 73.0 | 135 | 81 | 98.5 | 44.5 | 54.0 | 37.0 | 6 | 12 | 1/4" |
| 48 | 66 | 67.0 | 75.0 | 135 | 87 | 98.5 | 44.5 | 54.0 | 37.0 | 6 | 12 | 1/4" |
| 50 | 68 | 69.0 | 78.0 | 148 | 87 | 100.5 | 44.5 | 56.0 | 39.0 | 6 | 12 | 1/4" |
| 55 | 73 | 74.0 | 83.0 | 148 | 95 | 102.0 | 44.5 | 57.5 | 40.0 | 6 | 18 | 1/4" |
| 60 | 78 | 79.0 | 91.0 | 158 | 102 | 102.0 | 44.5 | 57.5 | 40.0 | 6 | 18 | 3/8" |
| 65 | 83 | 84.5 | 98.5 | 163 | 112 | 102.0 | 44.5 | 57.5 | 40.0 | 6 | 18 | 3/8" |
| 70 | 93 | 95.0 | 108.0 | 178 | 125 | 107.0 | 44.5 | 62.5 | 45.0 | 6 | 18 | 3/8" |
| 75 | 98 | 100.0 | 113.0 | 185 | 130 | 107.0 | 44.5 | 62.5 | 45.0 | 6 | 18 | 3/8" |
| 80 | 105 | 107.0 | 118.0 | 193 | 135 | 121.0 | 52.0 | 69.0 | 49.0 | 6 | 18 | 3/8" |
| 85 | 110 | 113.0 | 123.0 | 198 | 140 | 121.0 | 52.0 | 69.0 | 49.0 | 6 | 22 | 3/8" |
| 90 | 115 | 118.0 | 130.0 | 205 | 145 | 121.0 | 52.0 | 69.0 | 49.0 | 6 | 22 | 3/8" |
| 95 | 121 | 124.0 | 135.0 | 209 | 150 | 123.0 | 54.0 | 69.0 | 49.0 | 6 | 22 | 3/8" |
| 100 | 126 | 129.0 | 140.0 | 218 | 155 | 123.0 | 54.0 | 69.0 | 49.0 | 6 | 22 | 3/8" |