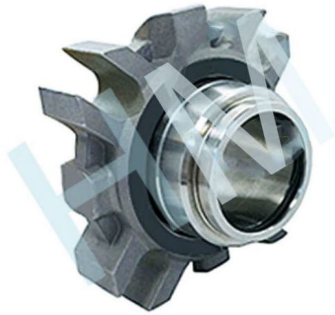


# HMCS-FT03(C2S)



Type: Single Cartridge Seal, Recommended for general purpose.

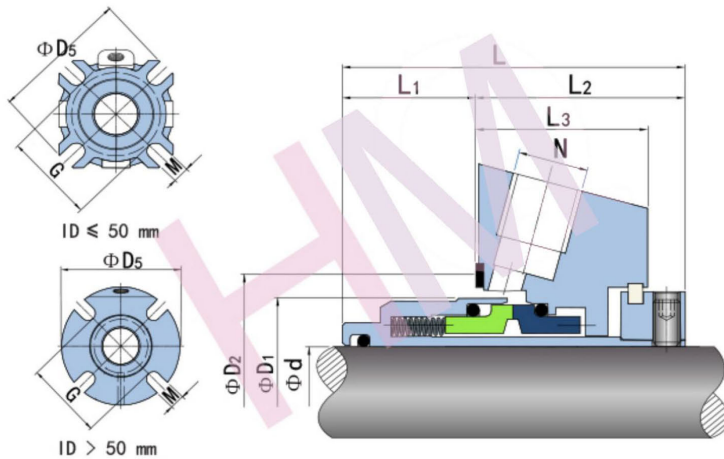
Replacement: Fluiten C2S

Temperature: -40 to +260°C

Pressure:  $\leq 25$  Bar

Speed:  $\leq 12$  m/s

Material: Q1, Q2, U2, T, V, M1, F, G, M



[hengmi@mes seal.com](mailto:hengmi@mes seal.com)

d (mm)	D1	D2		D5	G	L	L1	L2	L3	M	N
		min	max								
25	43	44.0	51.0	98	63	63.5	25	38.5	31.5	12	1/4"
28	46	47.0	52.0	98	63	63.5	25	38.5	31.5	12	1/4"
30	48	49.0	56.0	98	65	63.5	25	38.5	31.5	12	1/4"
32	50	51.0	57.0	106	68	63.5	25	38.5	31.5	12	1/4"
33	53	54.0	61.5	106	68	64.5	25	39.5	31.5	12	1/4"
35	53	54.0	61.5	106	68	64.5	25	39.5	31.5	12	1/4"
38	56	57.0	66.0	120	76	64.5	25	39.5	31.5	14	1/4"
40	58	59.0	68.0	120	76	64.5	25	39.5	31.5	14	1/4"
43	61	62.0	70.5	135	81	64.5	25	39.5	31.5	14	1/4"
45	63	64.0	73.0	135	81	64.5	25	39.5	31.5	14	1/4"
48	66	67.0	75.0	148	87	64.5	25	39.5	31.5	14	1/4"
50	68	69.0	78.0	148	87	64.5	25	39.5	31.5	14	1/4"
55	73	74.0	83.0	148	95	65.0	25	40.0	31.5	18	3/8"
60	78	79.0	91.0	158	102	65.0	25	40.0	31.5	18	3/8"
65	83	84.5	98.5	163	112	65.0	25	40.0	31.5	18	3/8"
70	93	95.0	108.0	178	125	65.0	25	40.0	31.5	18	3/8"
75	98	100.0	113.0	185	130	65.0	25	40.0	31.5	18	3/8"
80	105	107.0	118.0	193	135	77.0	30	47.0	36.5	18	3/8"
85	110	113.0	123.0	198	140	77.0	30	47.0	36.5	22	3/8"
90	115	118.0	130.0	205	145	77.0	30	47.0	36.5	22	3/8"
95	120	124.0	135.0	209	150	78.0	31	47.0	36.5	22	3/8"
100	126	129.0	140.0	218	155	78.0	31	47.0	36.5	22	3/8"