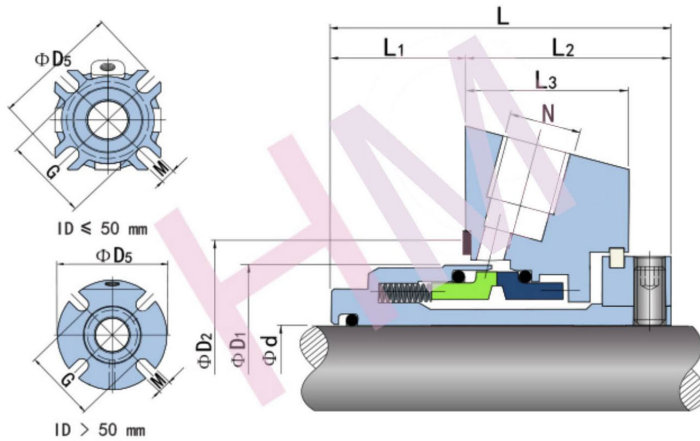
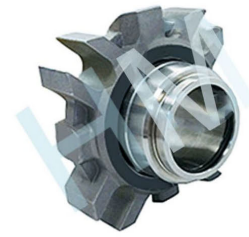


HMCS-FT09(C3S)

Type: Single Cartridge Seal, for general purpose.
 Replacement: Fluiten C3S
 Temperature: -40 to +260°C
 Pressure: 20 Bar
 Speed: ≤12m/s
 Material: Q1, Q2, U2, T, V, M1, F, G, M



hengmi@mes seal.com

d (mm)	D1	D2		D5	G	L	L1	L2	L3	M	N
		min	max								
20	43	44.0	51.0	63	98	63.5	25	38.5	31.5	12	1/4"
22	46	47.0	52.0	63	98	63.5	25	38.5	31.5	12	1/4"
25	48	49.0	56.0	65	98	63.5	25	38.5	31.5	12	1/4"
28	50	51.0	57.0	68	106	63.5	25	39.5	31.5	12	1/4"
30	53	54.0	61.5	68	120	64.5	25	39.5	31.5	12	1/4"
32	56	57.0	66.0	76	120	64.5	25	39.5	31.5	12	1/4"
33	56	57.0	66.0	76	120	64.5	25	39.5	31.5	14	1/4"
35	58	59.0	68.0	76	135	64.5	25	39.5	31.5	14	1/4"
38	61	62.0	70.5	81	135	64.5	25	39.5	31.5	14	1/4"
40	63	64.0	73.0	81	148	64.5	25	39.5	31.5	14	1/4"
43	66	67.0	76.0	87	148	64.5	25	39.5	31.5	14	1/4"
45	68	69.0	78.0	87	148	64.5	25	39.5	31.5	14	1/4"
48	73	74.0	83.0	95	148	65.0	25	40.0	31.5	18	3/8"
50	73	74.0	83.0	95	148	65.0	25	40.0	31.5	18	3/8"
53	78	79.0	91.0	102	158	65.0	25	40.0	31.5	18	3/8"
55	78	79.0	91.0	102	158	65.0	25	40.0	31.5	18	3/8"
58	83	84.5	98.5	112	163	65.0	25	40.0	31.5	18	3/8"
60	83	84.5	98.5	112	163	65.0	25	40.0	31.5	18	3/8"
63	93	95.0	108.0	125	178	65.0	25	40.0	31.5	18	3/8"
65	93	95.0	108.0	125	178	65.0	25	40.0	31.5	18	3/8"
68	98	100.0	113.0	130	185	65.0	25	40.0	31.5	18	3/8"
70	105	107.0	118.0	135	193	77.0	30	47.0	36.5	18	3/8"
75	110	113.0	123.0	140	198	77.0	30	47.0	36.5	22	3/8"
80	115	118.0	130.0	145	205	77.0	30	47.0	36.5	22	3/8"
85	121	124.0	135.0	150	208	78.0	31	47.0	36.5	22	3/8"
90	126	129.0	140.0	155	218	78.0	31	47.0	36.5	22	3/8"