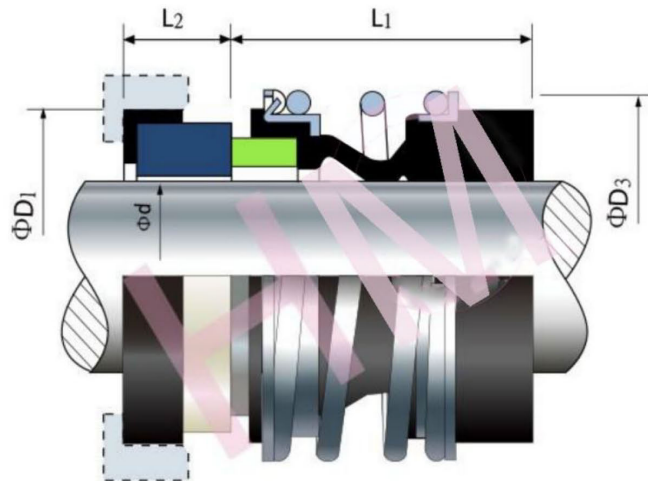


# ABS-06



Type: Suit for A.B.S pumps  
 Replacement: Lidering 107  
 Temperature: -20 to +120°C  
 Pressure :  $\leq 1.2\text{Mpa}$   
 Speed:  $\leq 10\text{m/s}$   
 Material : B,Q2,U2,P,E,N,V,F,G,Alfa



d (mm)	D1	D3	L1	L2
22	37	37.0	30.0	7.5
28	43	49.0	42.5	7.5
38	56	59.0	46.0	9.0
48	66	70.5	51.0	9.0

