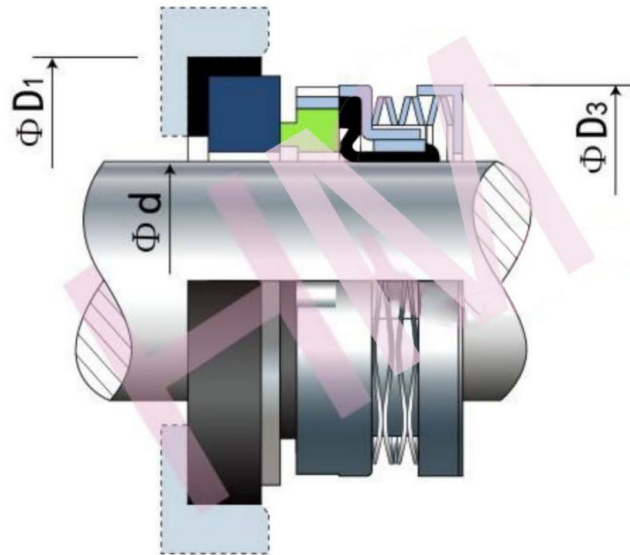


ABS-13(WP03)



Type: ABS Pump Seal,Suit for ABS 11100083
 Replacement: AES WP03
 Temperature: -20 to +180°C
 Pressure: ≤1.0Mpa
 Speed: ≤15m/s
 Material: B,Q2,U2,P,E,N,V,F,G,Alfa



d (mm)	D1	D3
50	72	66.4
d (inch)	D1	D2
1.969	2.835	2.614

