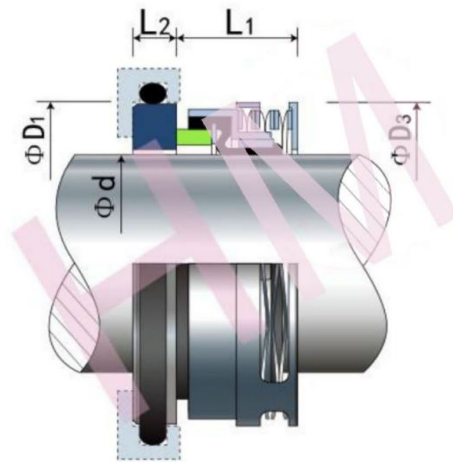


ABS-14(WP03S)



Type: ABS Pump Seal
 Replacement: AES WP03 S
 Temperature: -20 to +160°C
 Pressure : ≤1.4Mpa
 Speed: ≤15m/s
 Material: B,Q2,U2,P,E,N,V,F,G,Alfa



hengmi@meseal.com

d (mm)	D1	D3	L1	L2
32	46.5	47.6	20.0	5.4
40	56.0	57.9	20.0	6.8
48	67.0	62.0	15.6	14.5
55	72.0	73.4	20.0	7.9
60	75.0	80.5	21.0	10.9
75	93.2	97.2	26.8	9.9

d (inch)	D1	D3	L1	L2
1.260	1.831	1.874	0.787	0.213
1.575	2.205	2.280	0.787	0.268
1.890	2.638	2.441	0.614	0.571
2.165	2.835	2.890	0.787	0.311
2.362	2.953	3.169	0.827	0.429
2.953	3.669	3.82	1.055	0.390