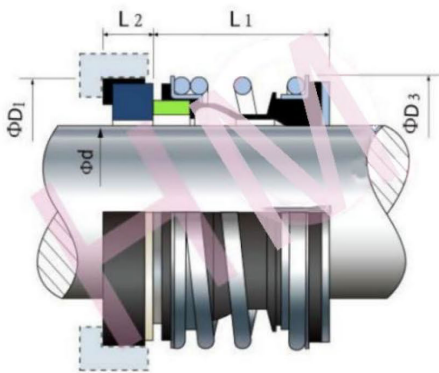


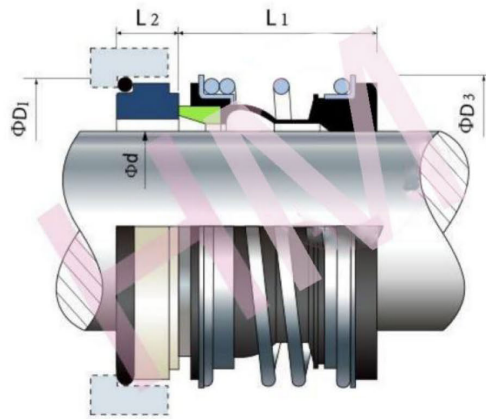
ABS-10(195)



Type: Suit A.B.S. AFP series pumps
 Replacement: Vulcan 195
 Temperature: -20°C to +120°C
 Pressure: ≤1.2Mpa
 Speed: ≤10m/s
 Material: B,A1,Q1,Q2,U2,P,E,N,V,F,G



d (mm)	D1	D3	L1	L2	O.E.M. Part Number
15	35.0	28.0	17.0	4.0	11110172
20	35.0	36.0	21.5	7.5	11110001
25	40.5	41.0	22.5	8.5	11110095
30	50.8	47.0	24.0	9.5	11110096
40	58.0	60.0	33.5	11.0	11110144
45	65.5	64.3	30.5	12.5	11110093
55	76.2	78.0	37.5	13.5	11110135
80	104.0	106.5	40.0	15.0	11110051



d (mm)	D1	D3	L1	L2	O.E.M. Part Number
40	58.0	60	33.5	11.0	11110055
48	67.0	69	30.5	10.0	11110003
65	86.0	90	39.0	12.0	11110050
90	114.0	125	46.3	13.0	11110052
100	123.3	130	46.0	13.3	11110053

