

ABS-08(1578)



Type: Suit for ABS AFP-Series Pumps

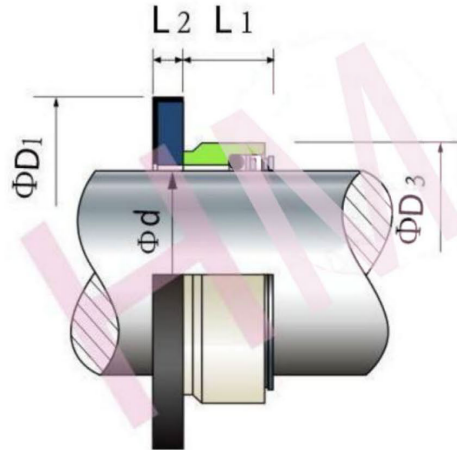
Replacement: Vulcan 1632

Temperature: -20 to +140°C

Pressure: $\leq 1.4\text{Mpa}$

Speed: $\leq 10\text{m/s}$

Material: B,Q2,U2,P,E,N,V,F,G,Alfa



d (mm)	D1	D3	L1	L2	O.E.M Part Number
20	52	31	13.5	6.0	11100066
48	67	62	15.8	14.5	11100058
65	86	79	17.8	15.3	11100059
80	104	98	19.5	16.3	11100053
90	114	105	19.5	16.3	11100055
100	123	116	21.0	17.1	11100052

