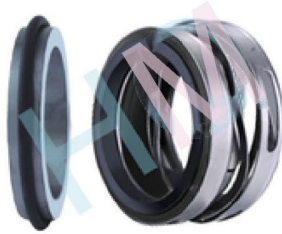
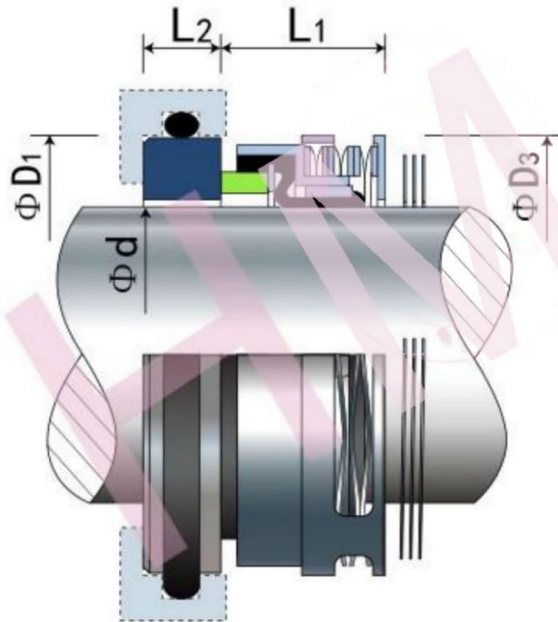


ABS-15(WP03SX)



Type: ABS Pump Seal
 Replacement: AES WP03 SX
 Temperature: -20 to +180°C
 Pressure: ≤1.4Mpa
 Speed: ≤15m/s
 Material : B,Q2,U2,P,E,N,V,F,G,Alfa



d (mm)	D1	D3	L1	L2
55	72	73.4	20	11.2
d (inch)	D1	D2	L1	L2
2.165	2.835	2.890	0.787	0.441

