

AL-02(P07-22B)



Type: Suit for Alfa Laval

ME155AE,GM1,GM1A,GM2 and
GM2A,MR166E Pumps

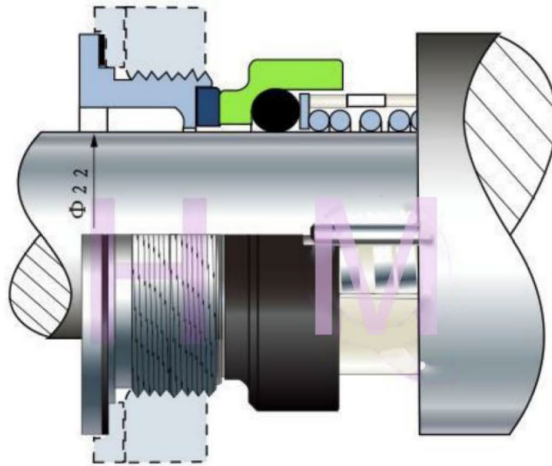
Replacement: AES P07-22D,Vulcan 93B,Billi
BB13D(22mm)

Temperature : -20°C to +140°C

Pressure: $\leq 1.2\text{Mpa}$

Speed: $\leq 10\text{m/s}$

Material: F,G,Q22,U22,B,V,P,E,F,G



hengmi@meseal.com