

AL-09(P07-35C)

Type : Double Seal, Suit for Alfa Laval LKH Series Pumps

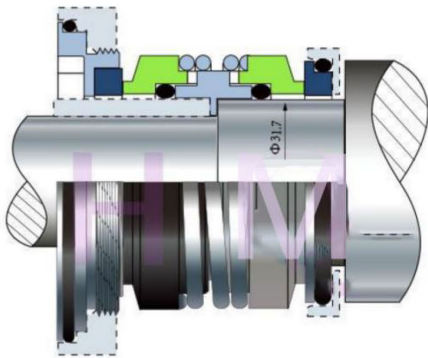
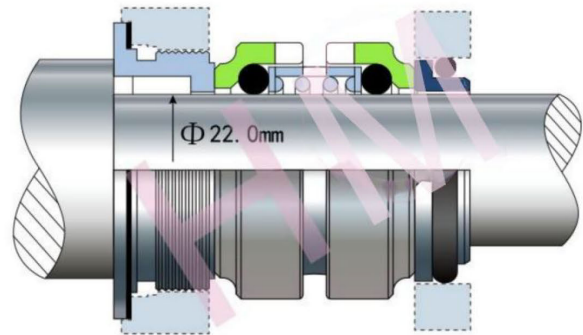
Replacement: AES P07-0350(22mm,35mm,42mm)

Temperature: -20°C to +140°C

Pressure : $\leq 1.2\text{Mpa}$

Speed: $\leq 10\text{m/s}$

Material : F,G,Q22,B,Q2,V,P,E



hengmi@mesel.com

