

AL-20(MG13)

Type: Suit for ALFA LAVAL ALC Pumps

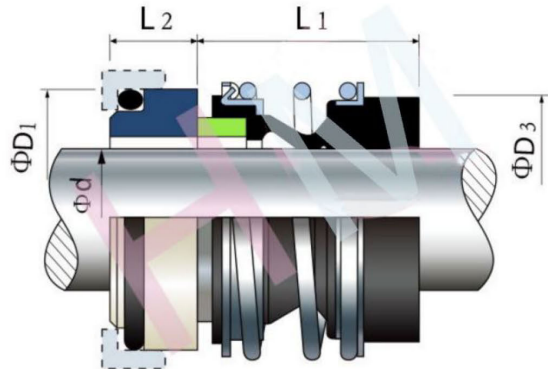
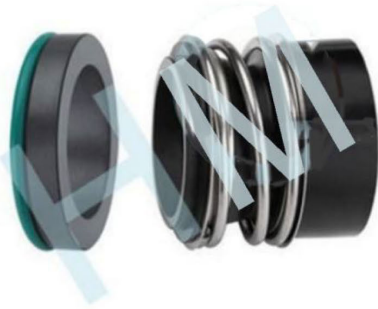
Replacement: Burgmann G13

Temperature: -20°C to +120°C

Pressure: ≤1.2Mpa

Speed: ≤10m/s

Material: F, G, Q22, B, Q2, V, P, E



d (mm)	D1	D3	L1	L2
10	21	22.5	25	6.6
12	23	25.0	25	6.6
14	25	28.5	25	6.6
15	-	28.5	25	-
16	27	28.5	25	6.6
18	33	32.0	25	7.5
19	-	37.0	25	-
20	35	37.0	25	7.5
22	37	37.0	25	7.5
24	39	42.5	25	7.5
25	40	42.5	25	7.5
28	43	49.0	33	7.5
30	45	49.0	33	7.5
32	48	53.5	33	7.5
33	48	53.5	33	7.5
35	50	57.0	33	7.5
38	56	59.0	33	9.0
40	58	62.0	33	9.0
42	-	65.5	41	-
43	61	65.5	41	9.0
45	63	68.0	41	9.0
48	66	70.5	41	9.0
50	70	74.0	41	9.0
53	73	78.5	41	11.0
55	75	81.0	41	11.0
58	78	85.5	41	11.0
60	80	88.5	41	11.0
65	85	93.5	49	11.0
68	90	96.5	49	11.3
70	92	99.5	49	11.3
75	97	107.0	52	11.3
80	105	112.0	56	12.0
85	110	120.0	56	14.0
90	115	127.0	59	14.0
95	120	132.0	59	14.0
100	125	137.0	62	14.0