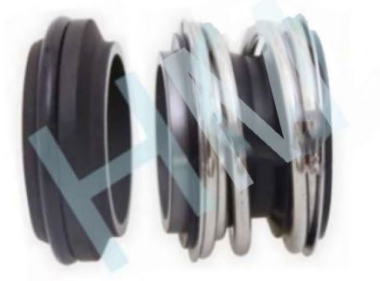


AL-18(B02D)

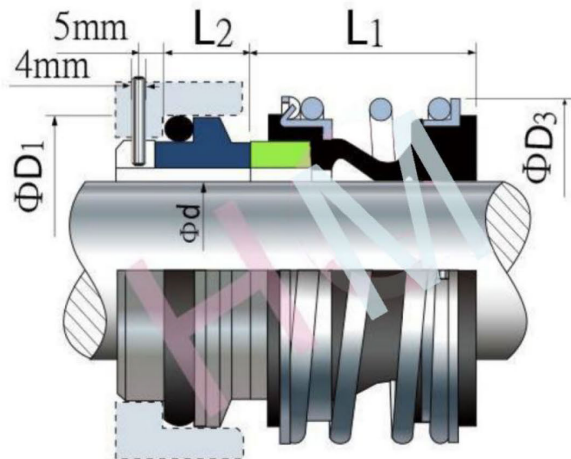


Type: Suit for Alfa Laval ALC (D Series) Pumps
 Replacement: AES B02D , Vulcan 19C, Burgmann
 MG1/G9, Flowserve ALC, Billi BB3-AL
 Temperature: -20°C to +120°C

Pressure: ≤ 1.2 Mpa

Speed: ≤ 10 m/s

Material : A,B,Q1,Q2,P,E,V,F,G



d (mm)	D1	D3	L1	L2
40	58	60	30	14
53	73	76	33	15
60	80	85	38	15

d (inch)	D1	D3	L1	L2
1.575	2.283	2.362	1.181	0.551
2.087	2.875	2.992	1.299	0.591

