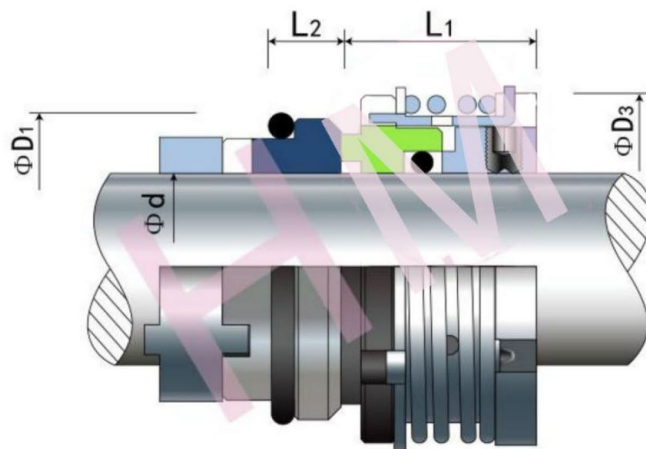


## AL-21



Type: ALFA LAVAL ,IMO ACE3 Pump Seal  
 Replacement: LIDERING AL-N-22  
 Temperature: -20 to +120°C  
 Pressure:  $\leq 1.6\text{Mpa}$   
 Speed:  $\leq 10\text{m/s}$   
 Material: A,B,Q1,Q2,U1,U2,T,V,Graphite,T6,F,G,M



It is equal to LIDERING AL-N-22,  
 Suit for IMO ACE3 Screw pumps.  
 d=22mm.



[hengmi@mesal.com](mailto:hengmi@mesal.com)