

AL-24(BHCH)

Type: Suit for Alfa Laval LKR Series Agitators

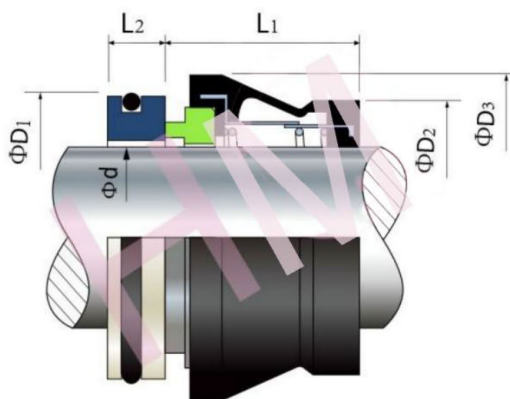
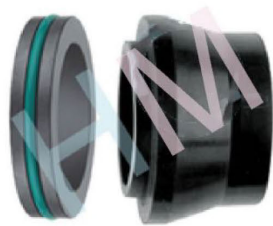
Replacement: AES BHCH, Vulcan 17B

Temperature: -20°C to $+140^{\circ}\text{C}$

Pressure: $\leq 1.2\text{Mpa}$

Speed: $\leq 10\text{m/s}$

Material: B, A, Q1, Q2, E, N, V, G



| d (mm) | D1 | D3 | L1 | L2 |
|-----------|------|----|----|------|
| 20 | 35.7 | 40 | 27 | 10.3 |
| 25 | 40.5 | 45 | 27 | 9.5 |
| 30 | 50.8 | 53 | 27 | 11.5 |
| 35 | 53.9 | 62 | 35 | 11.5 |
| 40 | 60.4 | 65 | 35 | 11.5 |
| 45 | 63.5 | 70 | 42 | 11.5 |
| 50 | 69.9 | 77 | 42 | 13.5 |
| 60 | 79.4 | 85 | 42 | 15.0 |

| d (inch) | D1 | D3 | L1 | L2 |
|-------------|-------|-------|-------|-------|
| 0.787 | 1.406 | 1.575 | 1.063 | 0.406 |
| 0.984 | 1.594 | 1.772 | 1.063 | 0.374 |
| 1.181 | 2.000 | 2.087 | 1.063 | 0.453 |
| 1.378 | 2.125 | 2.441 | 1.378 | 1.453 |
| 1.575 | 2.375 | 2.559 | 1.378 | 0.453 |
| 1.772 | 2.500 | 2.756 | 1.654 | 0.453 |
| 1.969 | 2.750 | 3.031 | 1.654 | 0.531 |
| 2.362 | 3.125 | 3.346 | 1.654 | 0.591 |