

## AL-13(W03S)



Type: Suit for Alfa Laval SRU(SSP SR),NMOG  
Pumps

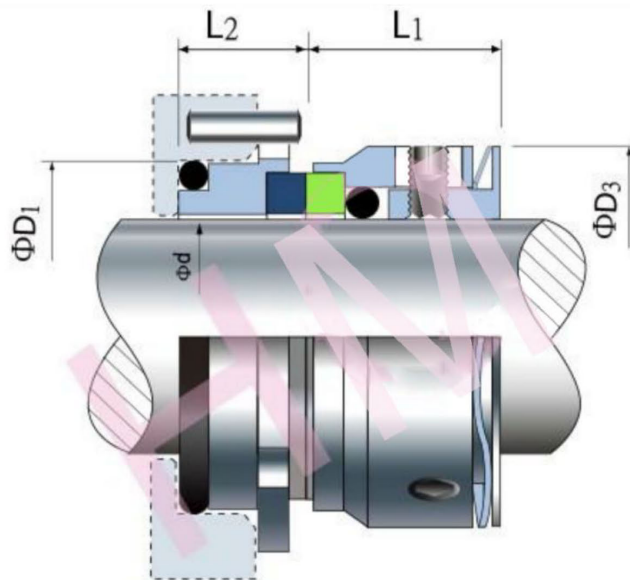
Replacement: AES W03S, Vulcan 1682, Crane 87(EI/EC)

Temperature:  $-40^{\circ}\text{C}$  to  $+200^{\circ}\text{C}$

Pressure:  $\leq 0.8\text{Mpa}$

Speed:  $\leq 18\text{m/s}$

Material : B,A1,Q1,Q2,U2,E,N,V



PUMP ref:	Size	D1	D3	L1	L2
SR1	20	30.0	32.4	20.0	10.7
SR2	30	41.3	44.0	21.4	10.9
SR3	35	47.0	50.8	22.0	12.2
SR4	45	58.3	62.4	22.9	11.6
SR5	55	69.6	76.0	29.3	13.0
SR6	75	92.2	99.2	31.1	14.5

