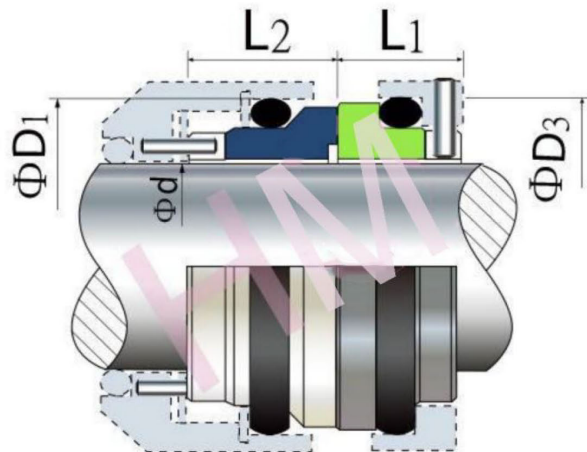


## AL-17(MP07)



Type: Suit for Alfa Laval LKHI,  
LKHP,LKHSP,LKH110,LKH112,LKH113,L  
KH114 Series Multi- Stage Series Pumps  
Replacement: AES MP07, Vulcan 912, Billi BB13KIT  
Temperature: -20°C to +140°C  
Pressure :  $\leq 1.2\text{Mpa}$   
Speed:  $\leq 10\text{m/s}$   
Material: B,A1,Q1,Q2,U2,E,N,V



ALFA LAVAL Pump Seals.

Shaft Size: 32mm,42mm.



[hengmi@mesel.com](mailto:hengmi@mesel.com)